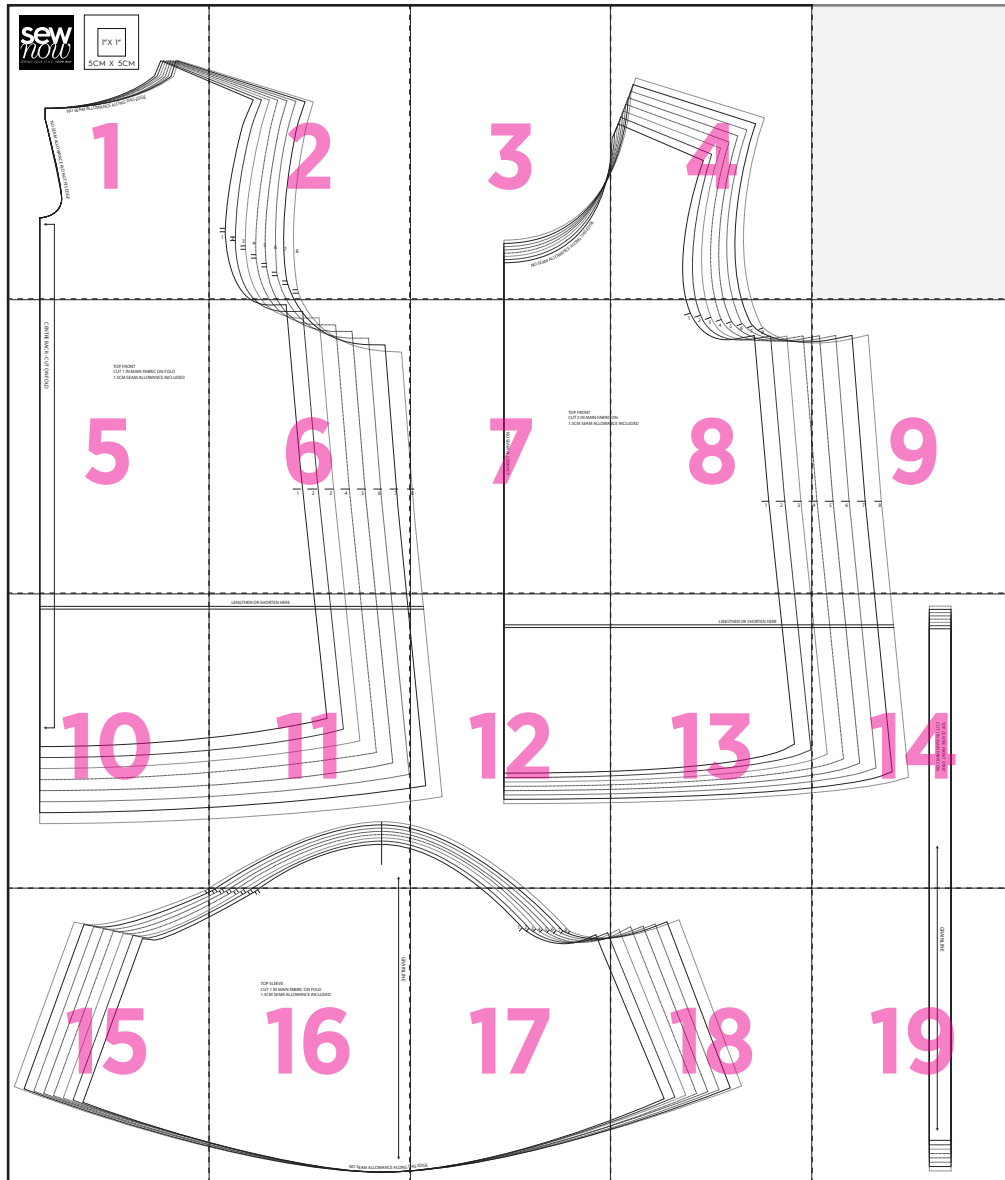
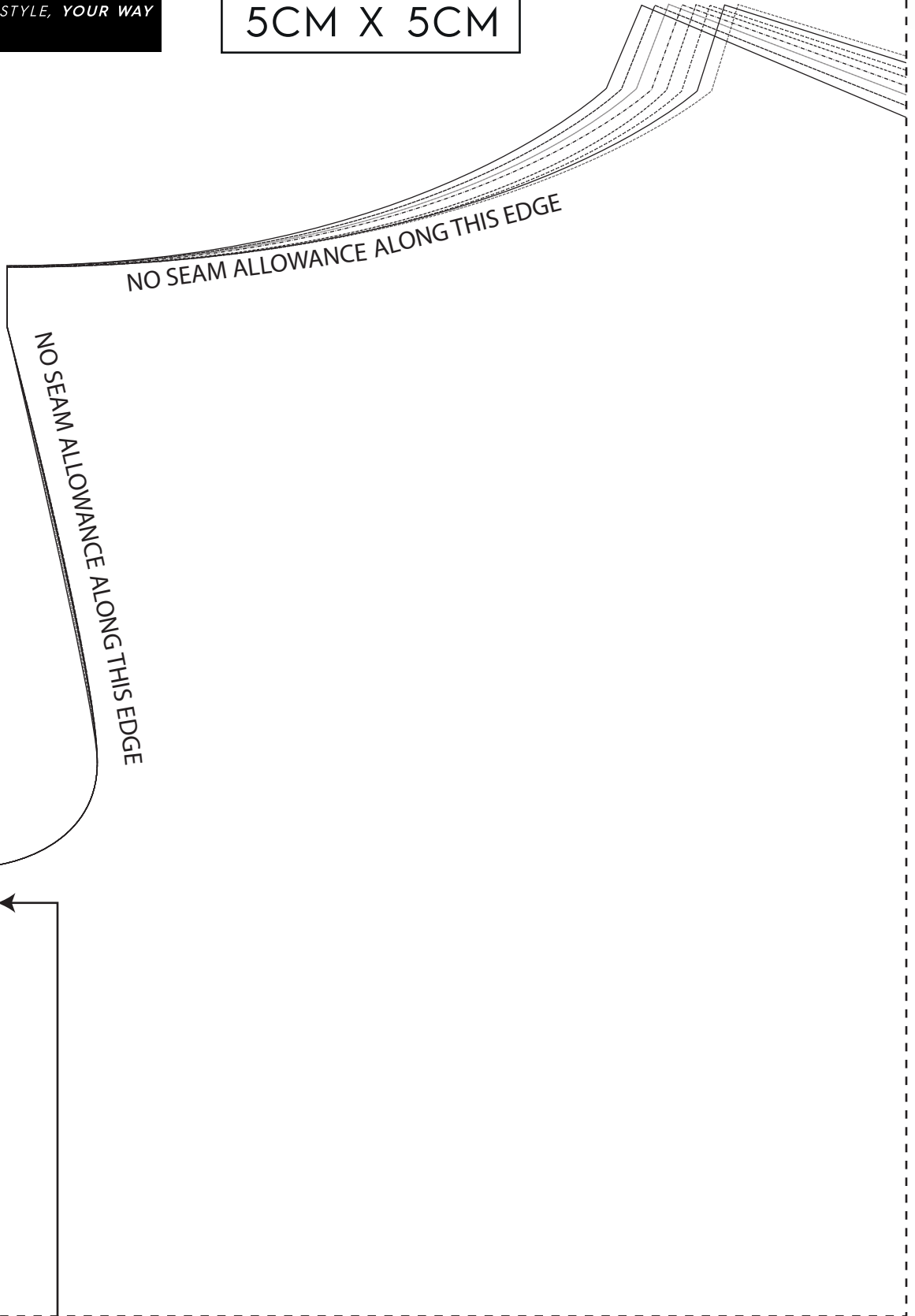
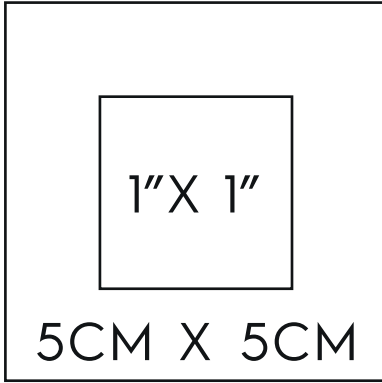


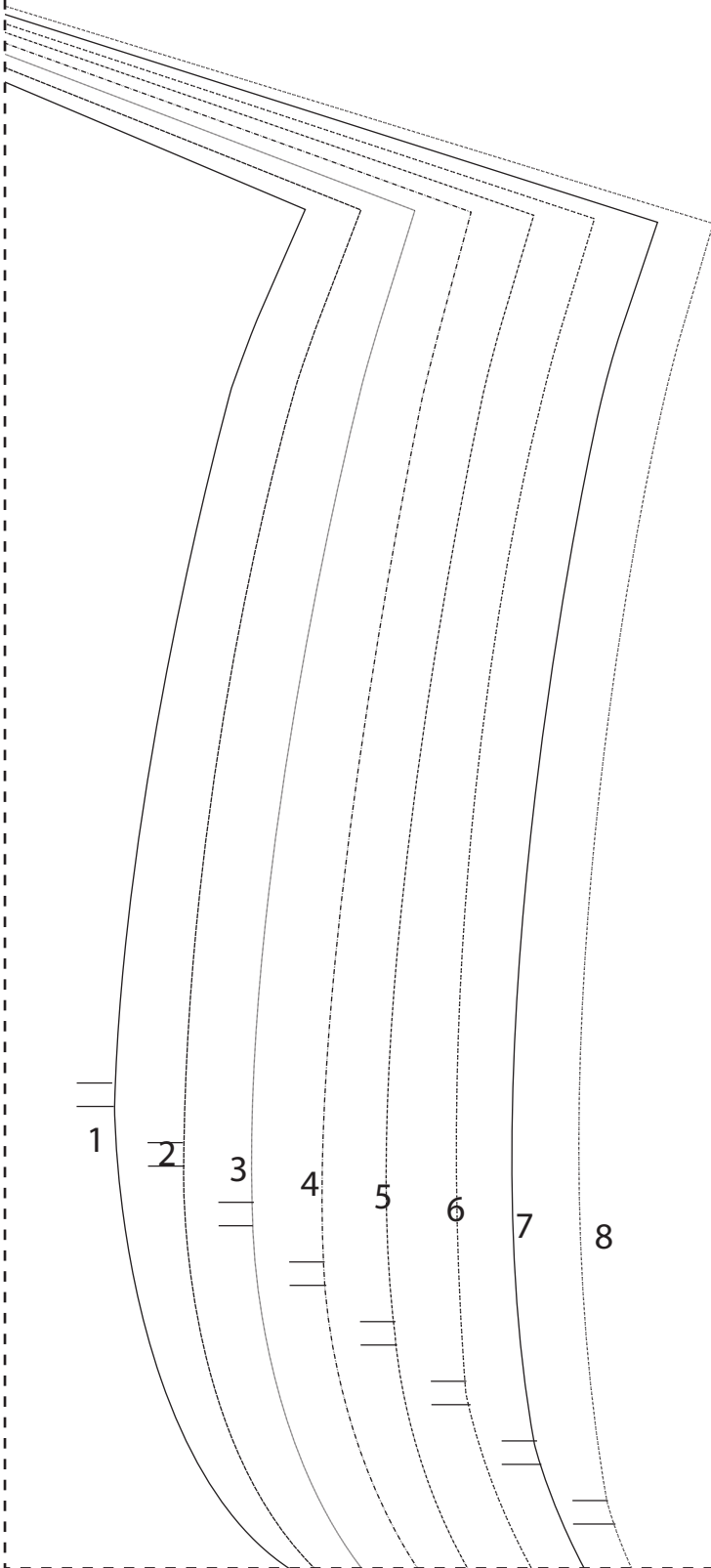
Stella bias top



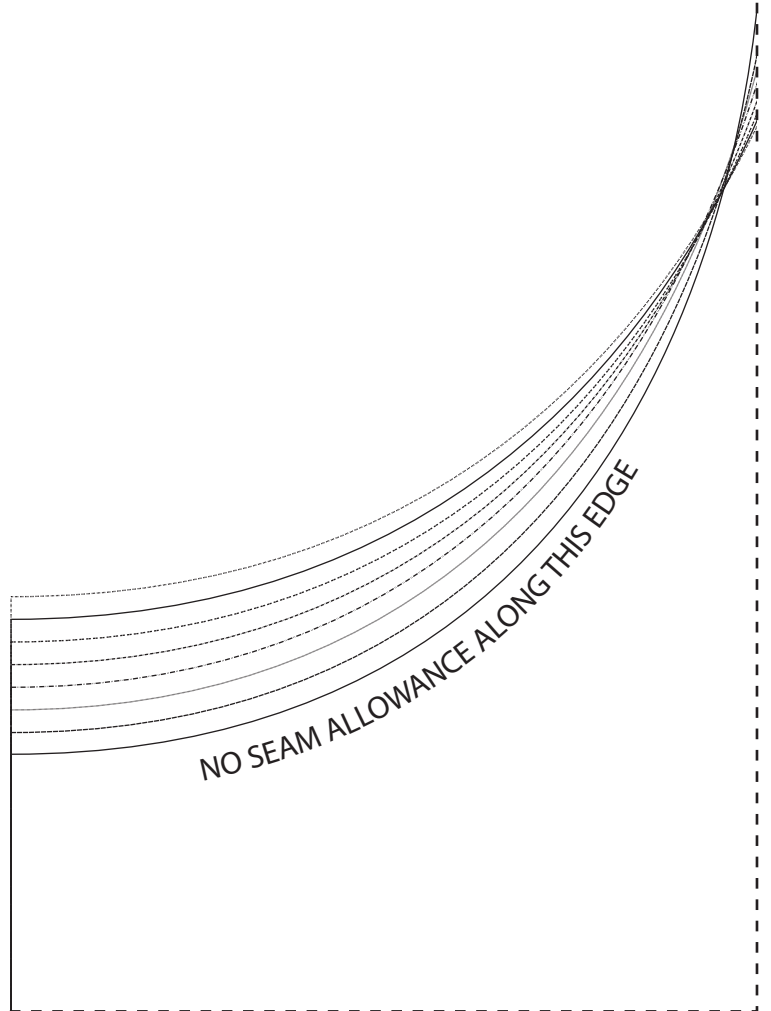
1



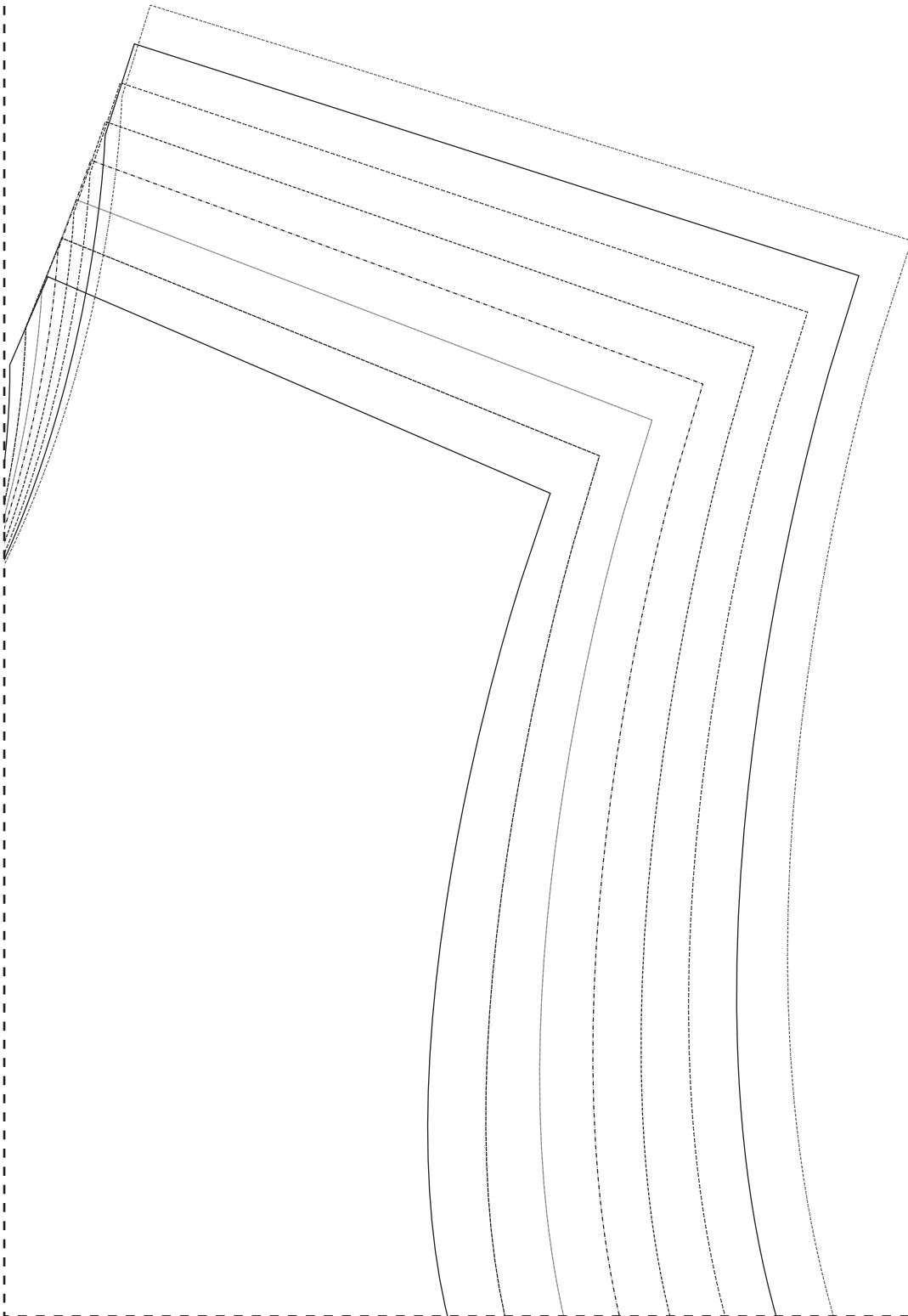
2



3



4



5

CENTRE BACK - CUT ON FOLD

TOP FRONT
CUT 1 IN MAIN FABRIC ON FOLD
1.5CM SEAM ALLOWANCE INCLUDED



6



1 2 3 4 5 6 7

7

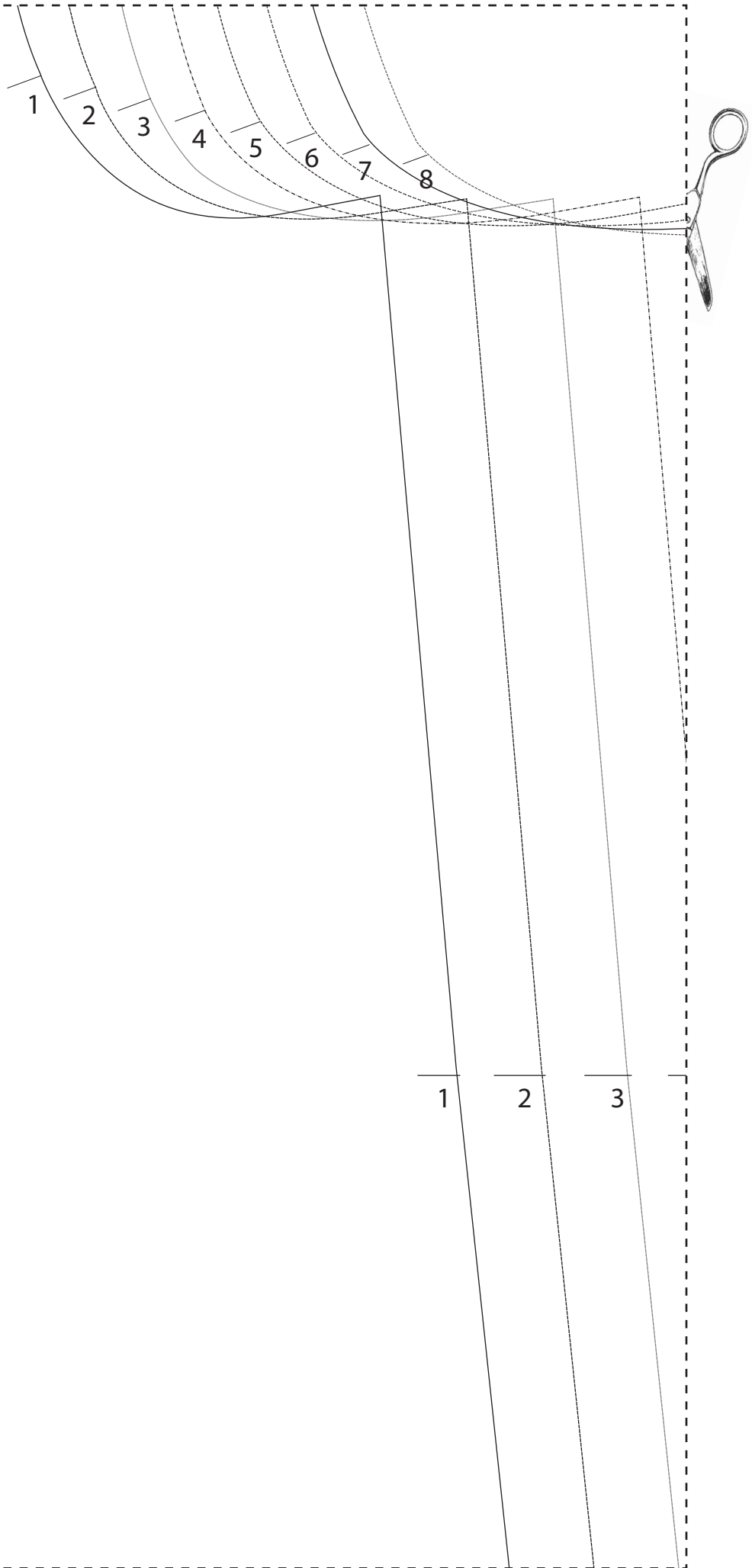


TOP FRONT
CUT 2 IN MAIN FABRIC
1.5CM SEAM ALLOWANCE

NO SEAM ALLOWANCE

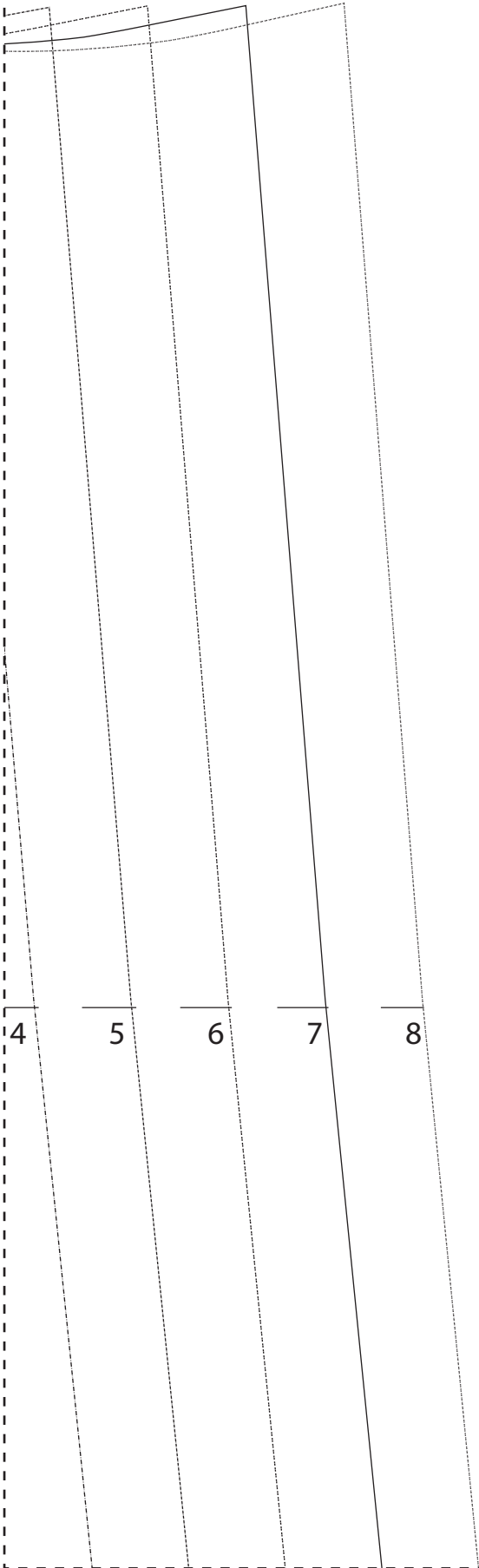
00

8



NO
PAPER INCLUDED

9

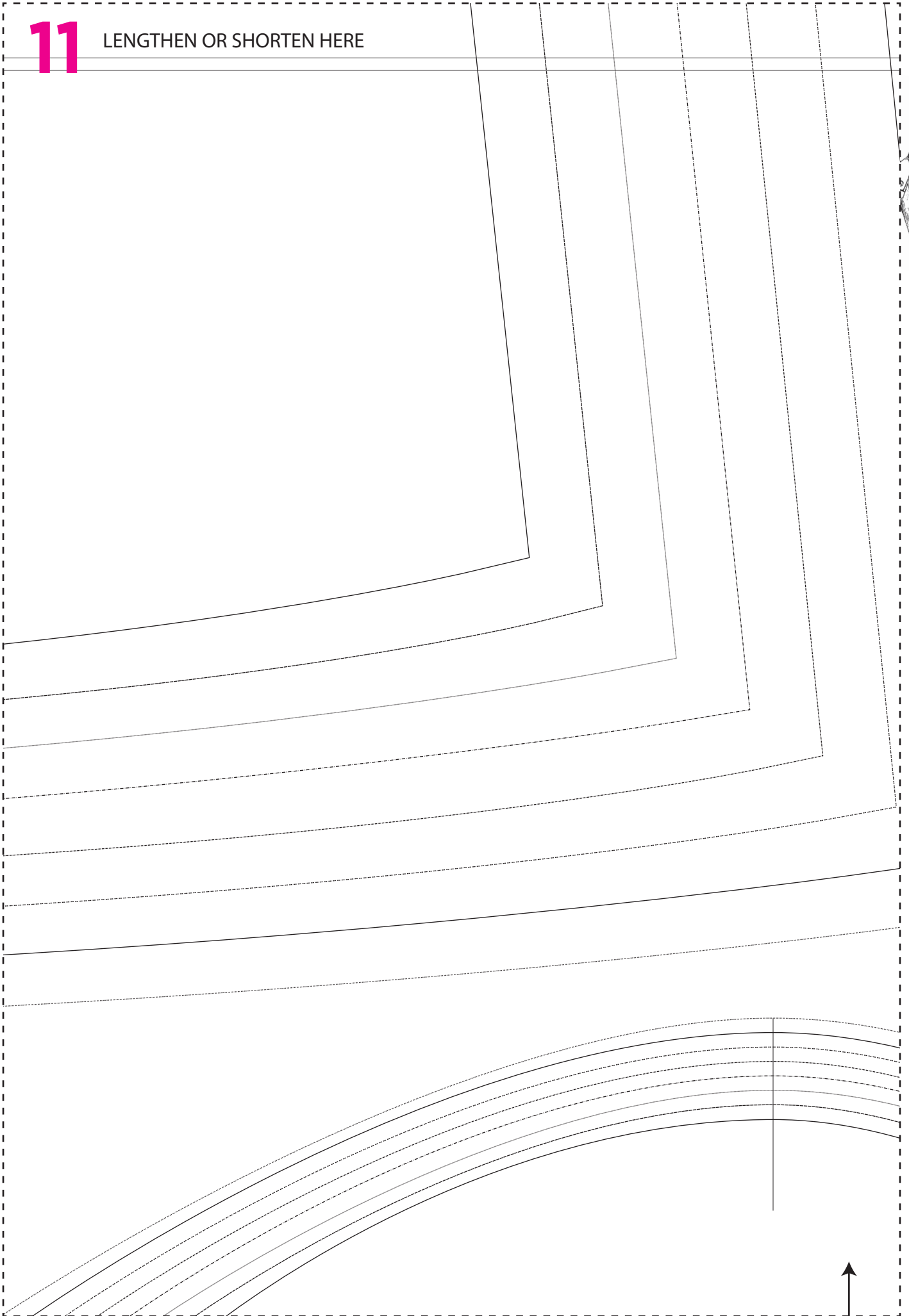


10

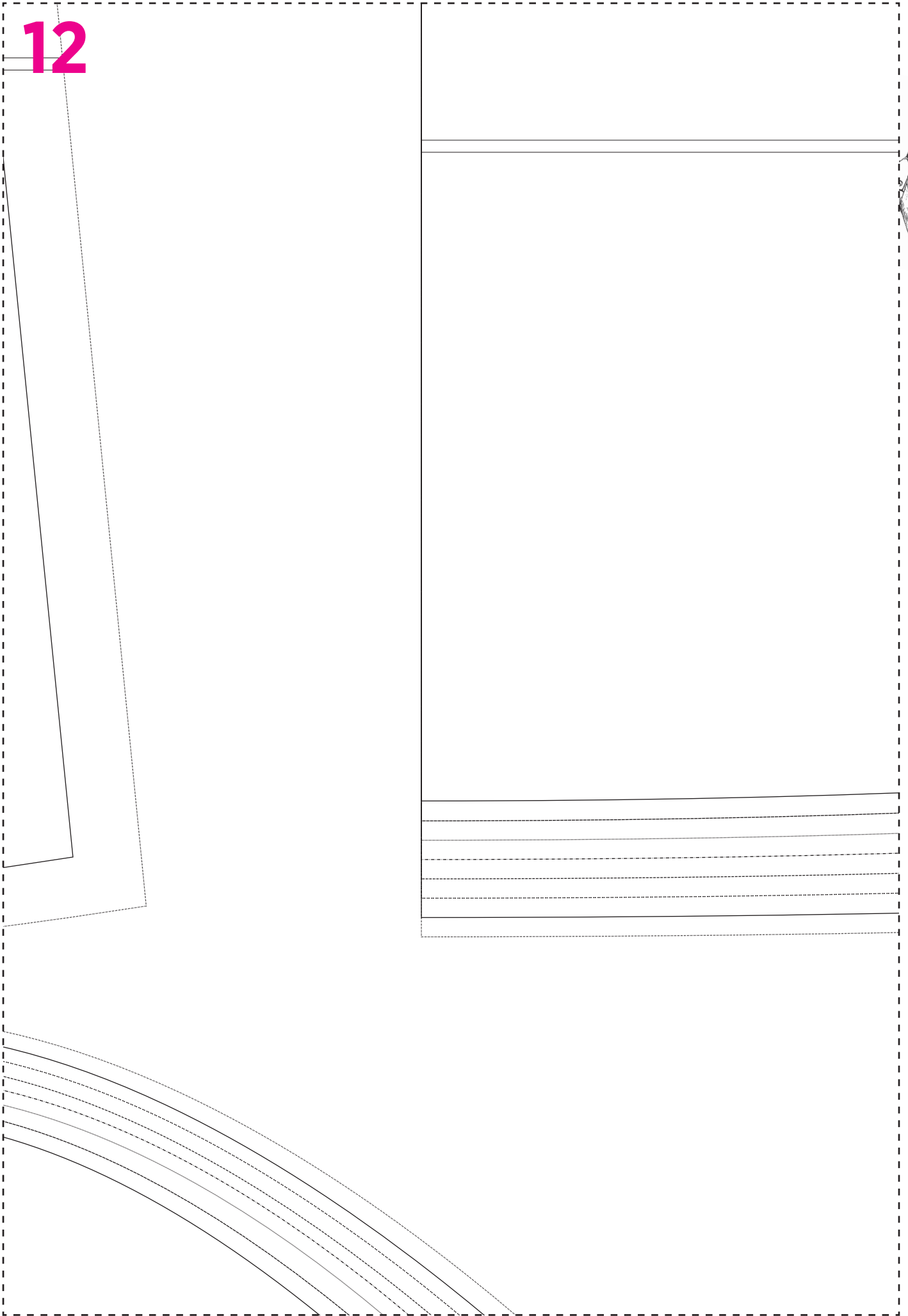


11

LENGTHEN OR SHORTEN HERE



12

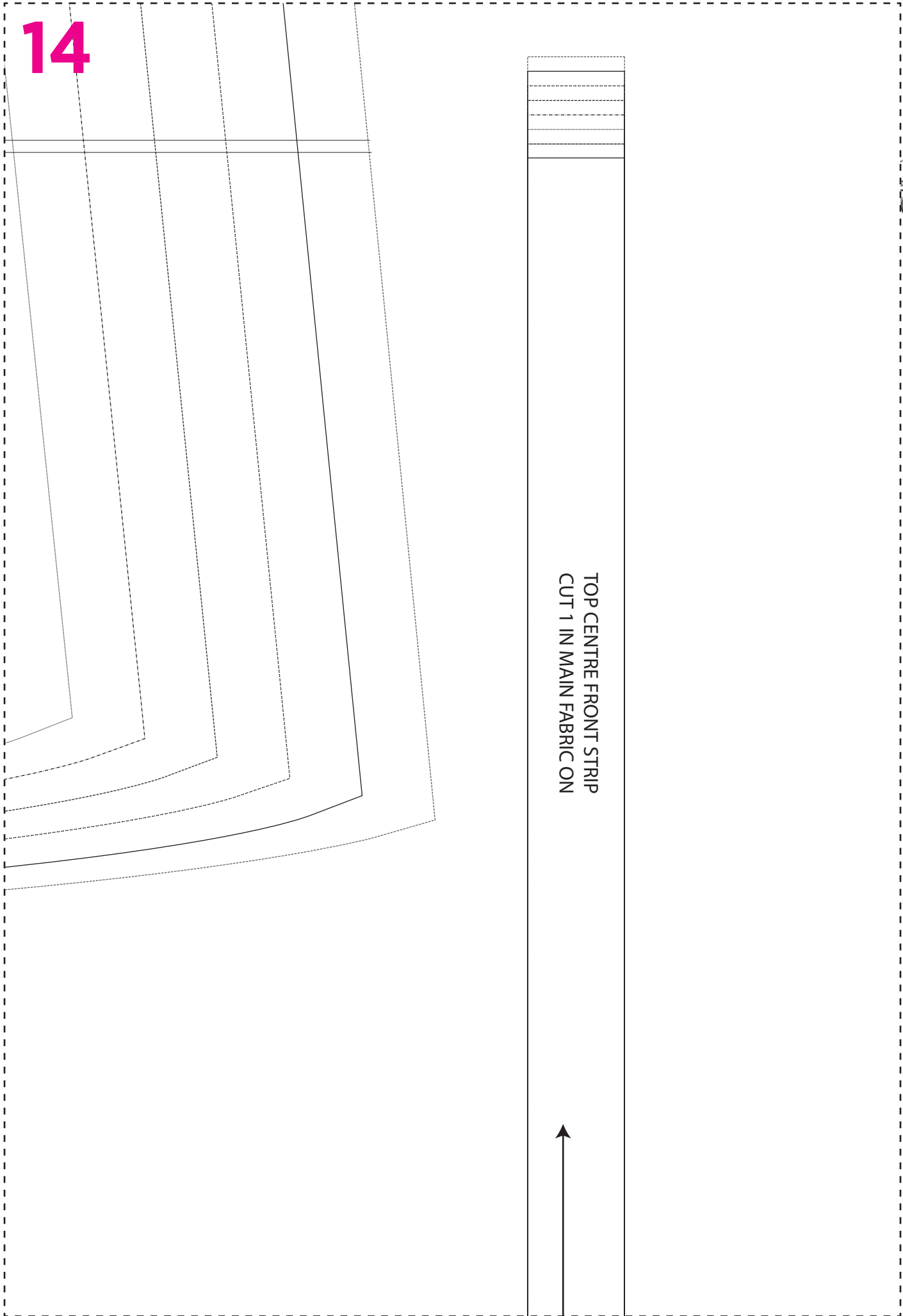


13

LENGTHEN OR SHORTEN HERE



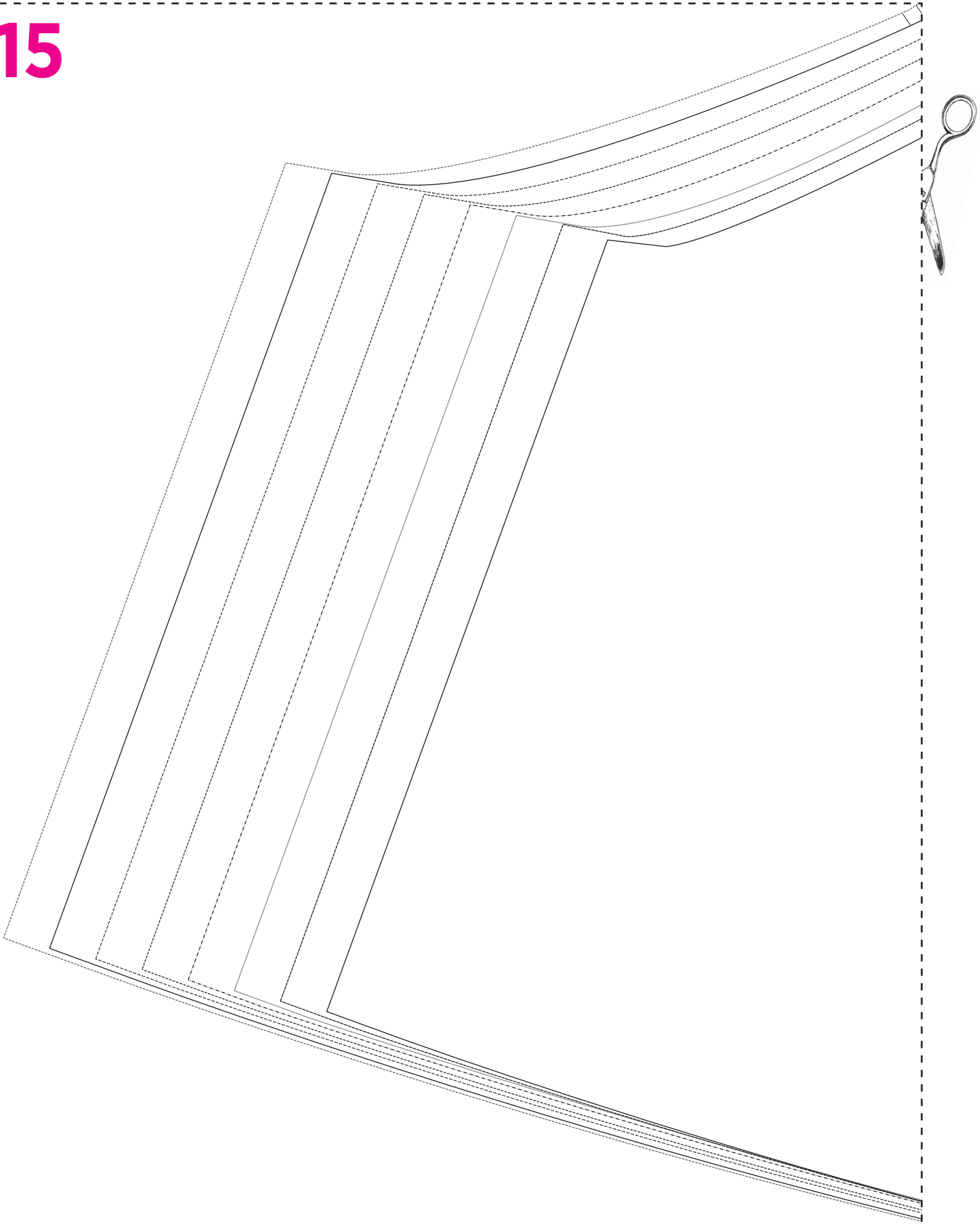
14



TOP CENTRE FRONT STRIP
CUT 1 IN MAIN FABRIC ON



15



16



GRAINLINE

TOP SLEEVE
CUT 1 IN MAIN FABRIC ON FOLD
1.5CM SEAM ALLOWANCE INCLUDED

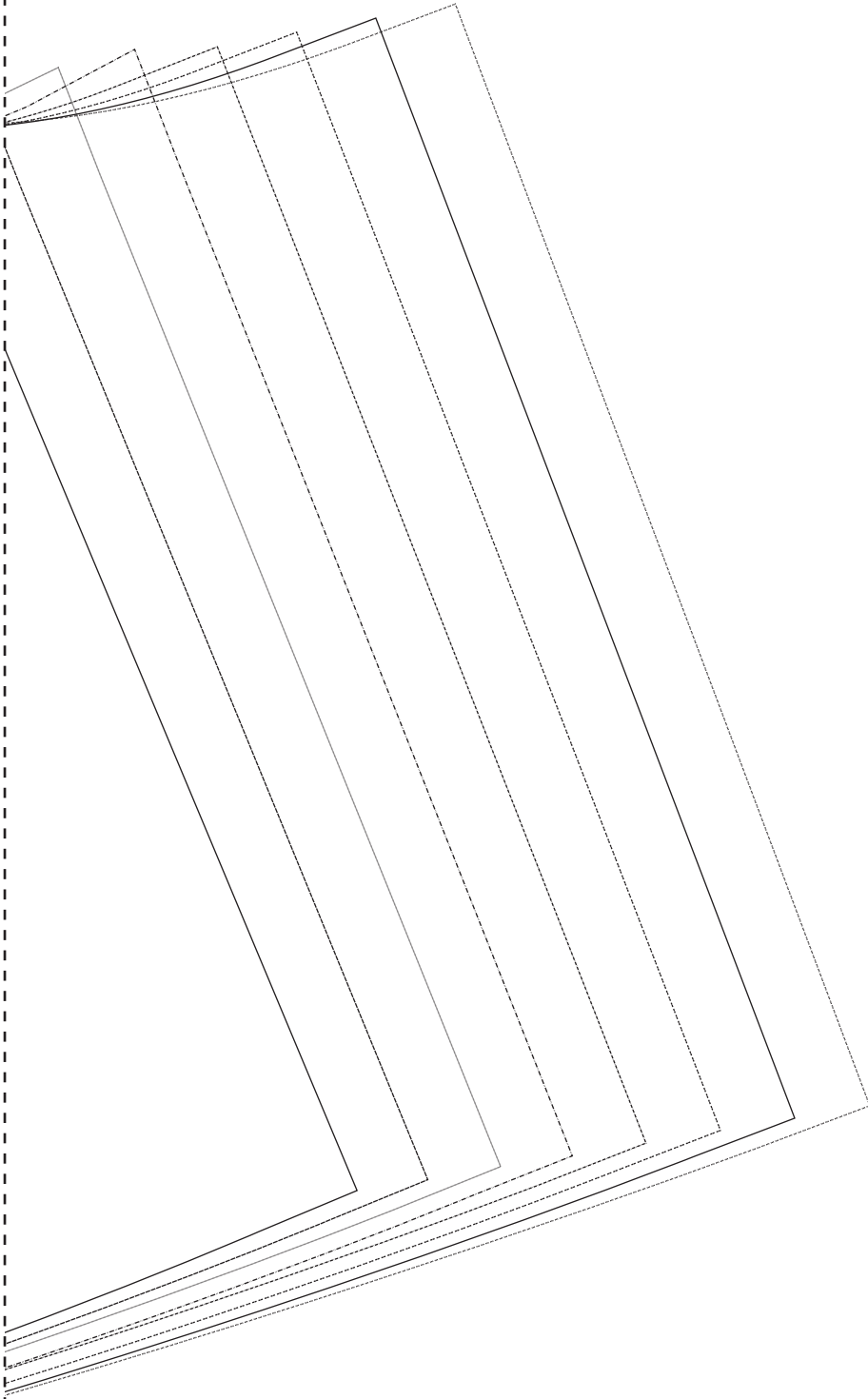
NO SEAM ALLOWANCE ALONG T

17

1 2 3 4 5 6 7 8



THIS EDGE



GRAINLINE

