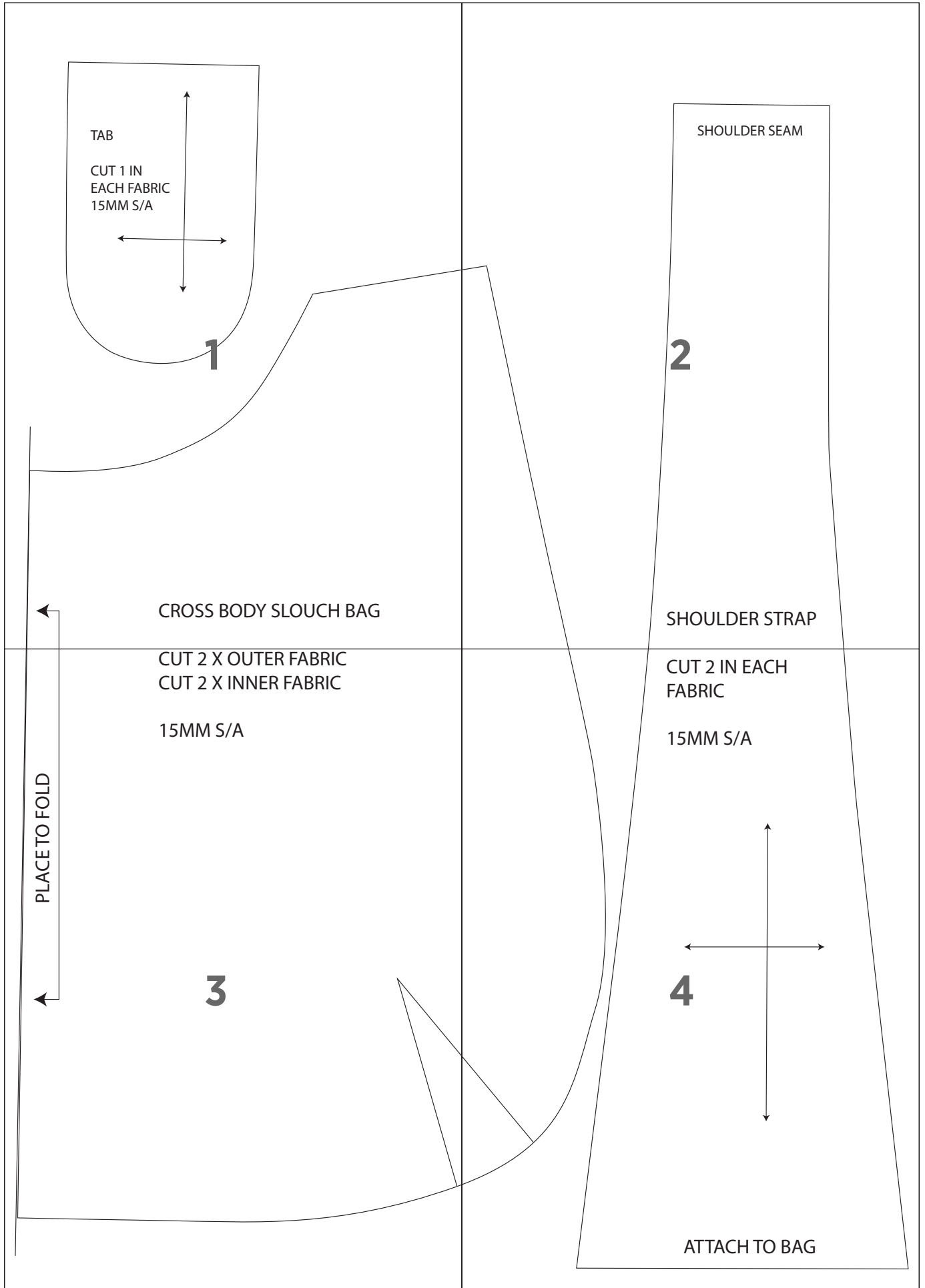
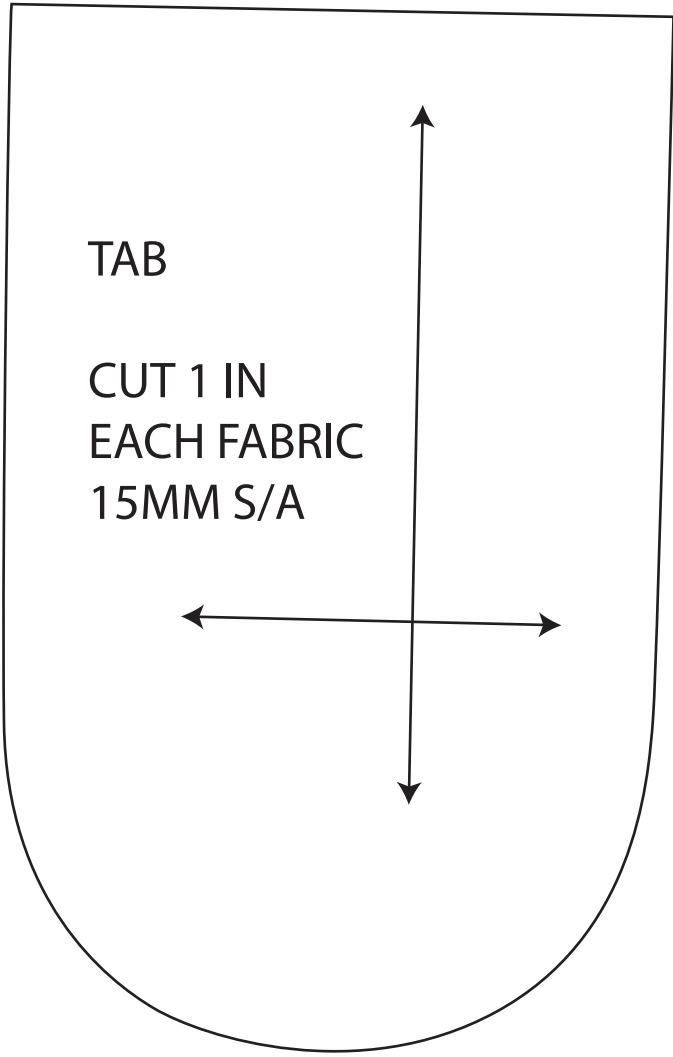


# Slouchy Reversible Bag Template



1



CROSS BODY SLOUCH BAG

2

SHOULDER SEAM

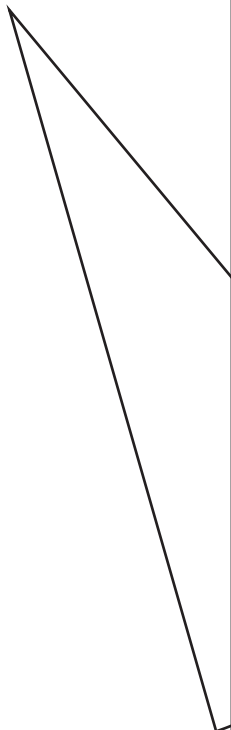
SHOULDER STRAP

CUT 2 X OUTER FABRIC  
CUT 2 X INNER FABRIC

15MM S/A

**3**

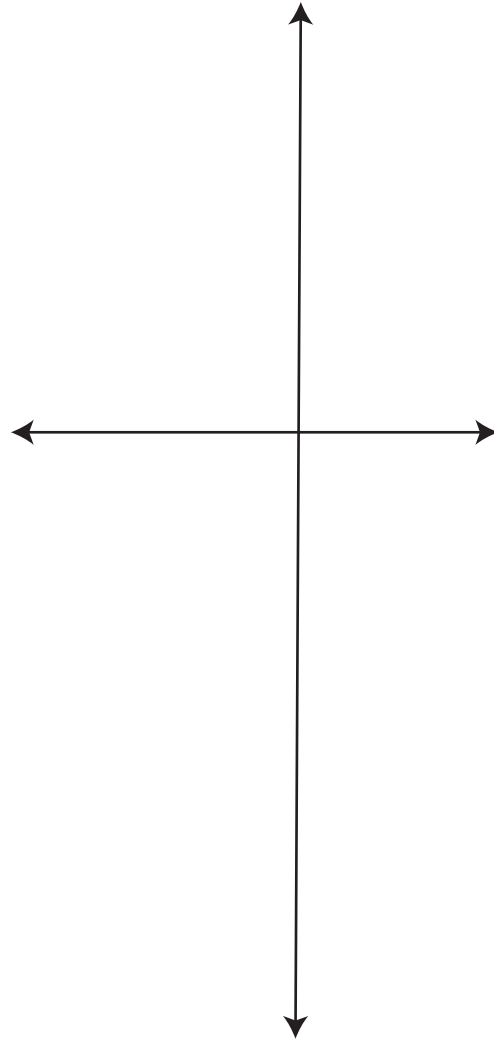
PLACE TO FOLD



4

CUT 2 IN EACH  
FABRIC

15MM S/A



ATTACH TO BAG