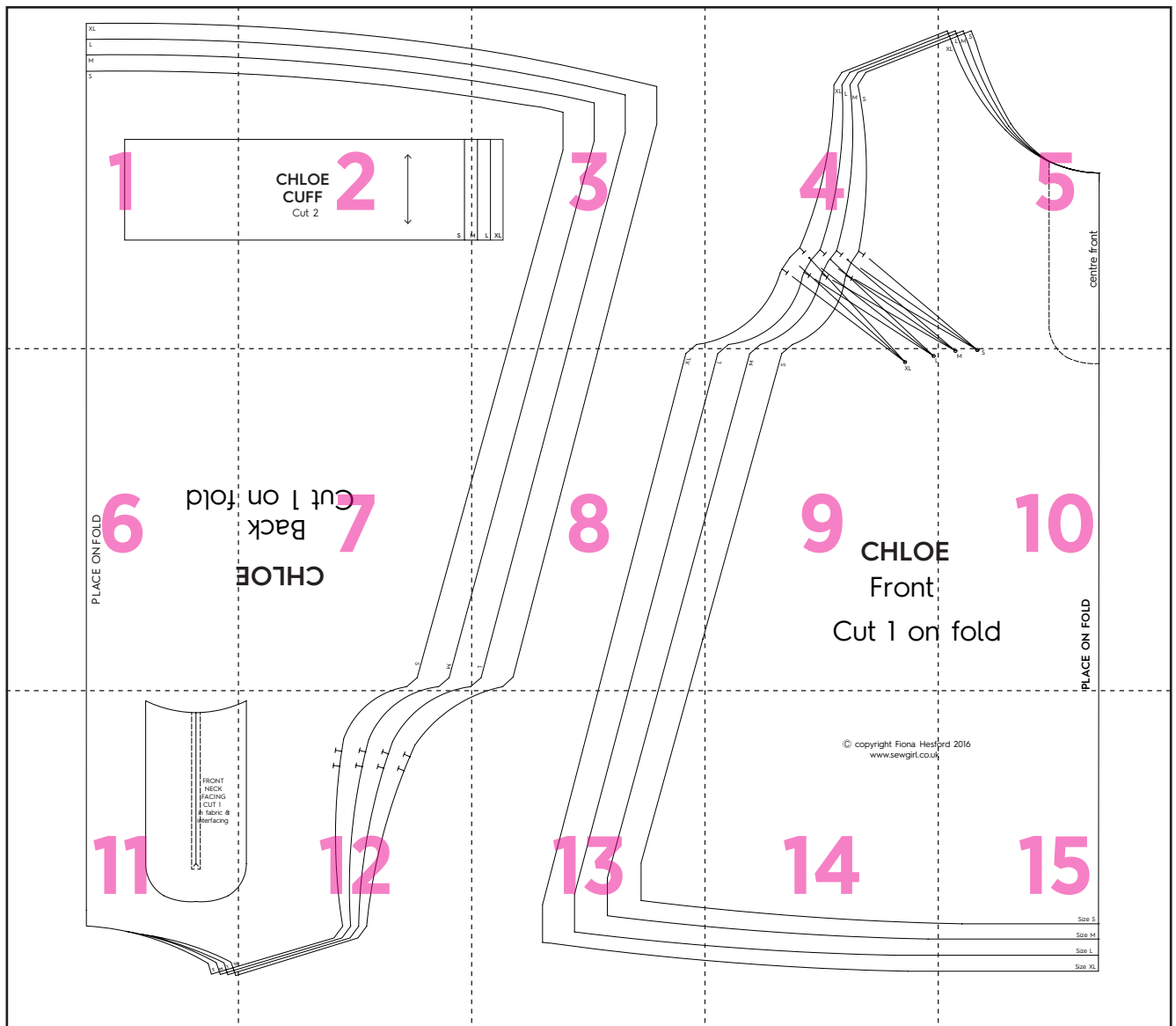


# CHLOE KEYHOLE BLOUSE



1

XL

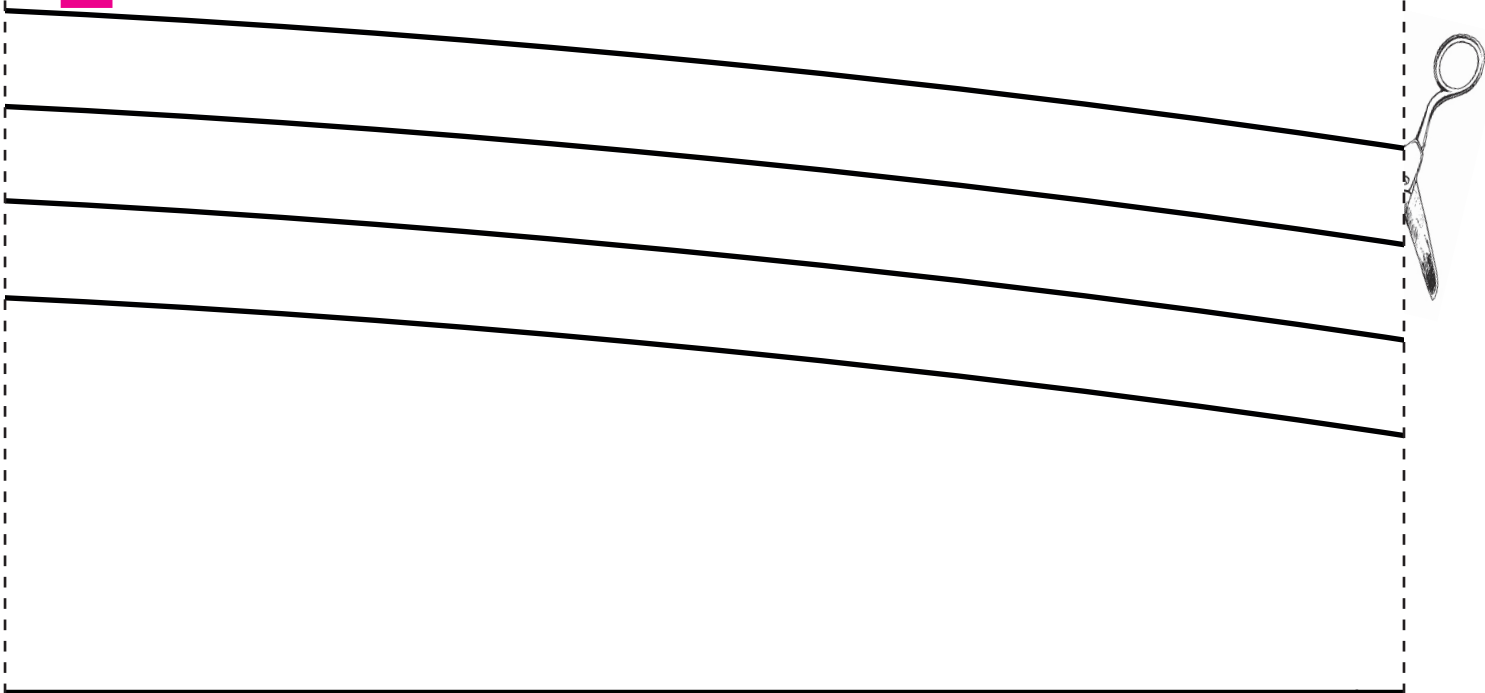
L

M

S



2



# CHLOE CUFF

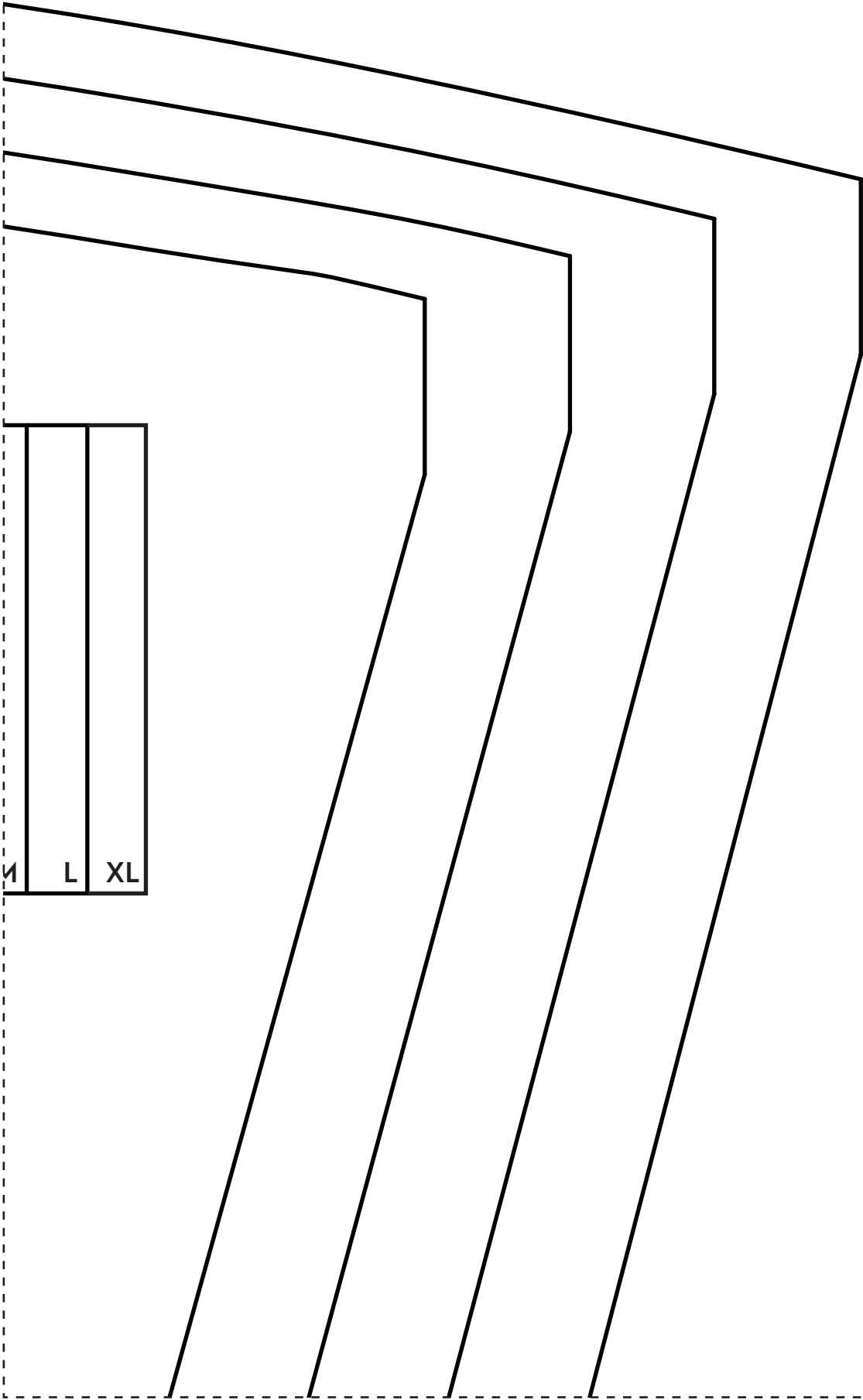
Cut 2



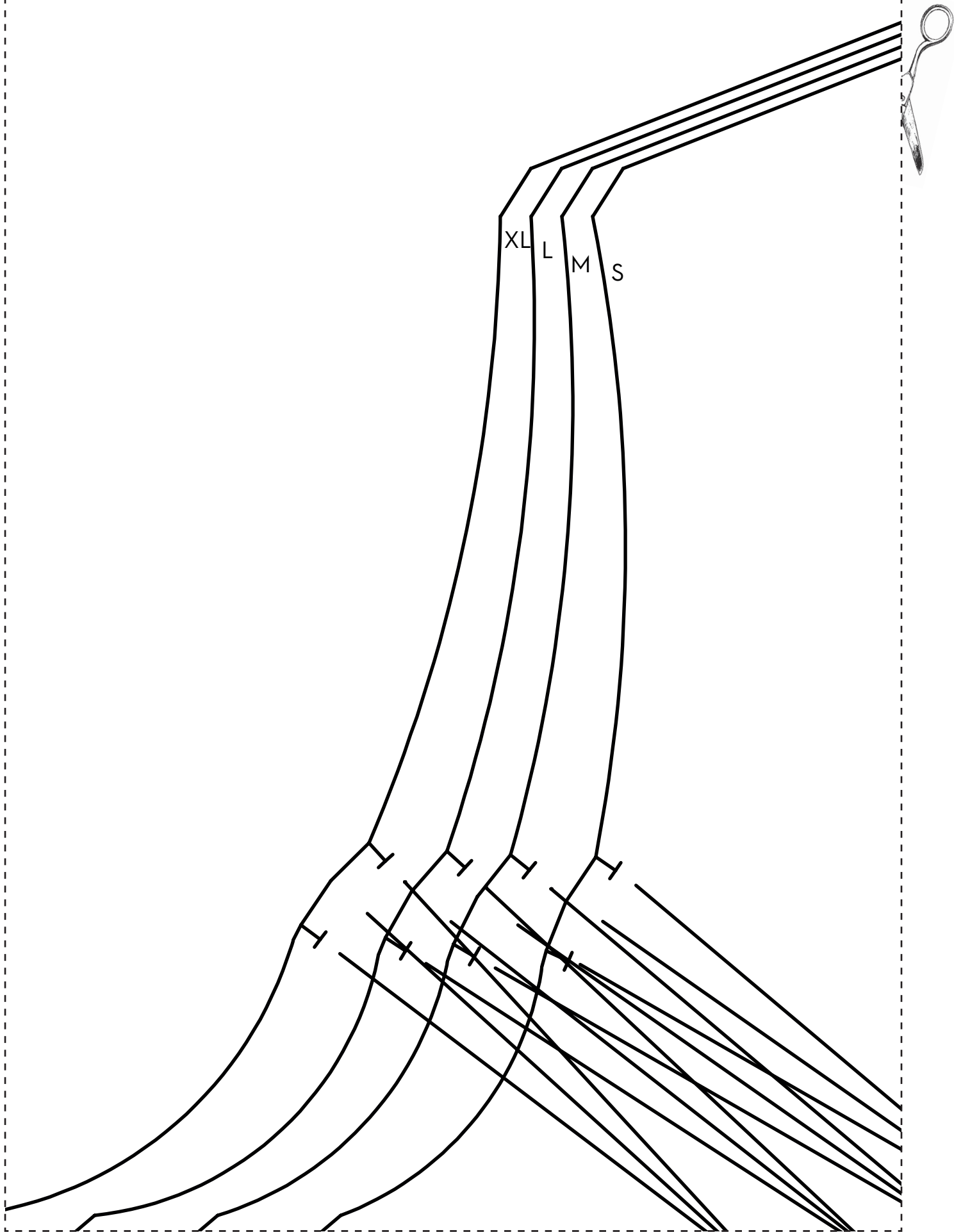
S

1

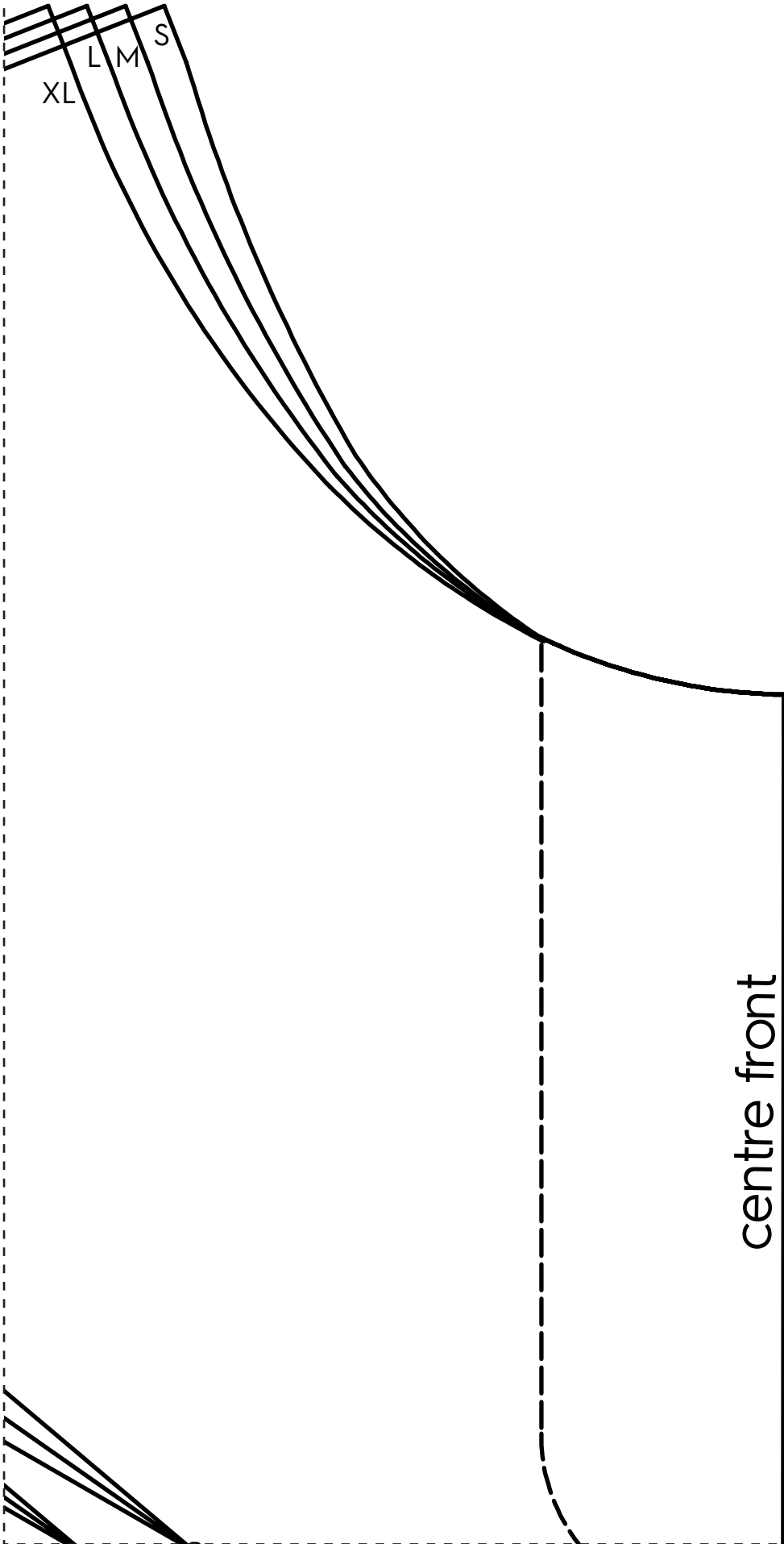
3



4



5



6

PLACE ON FOLD

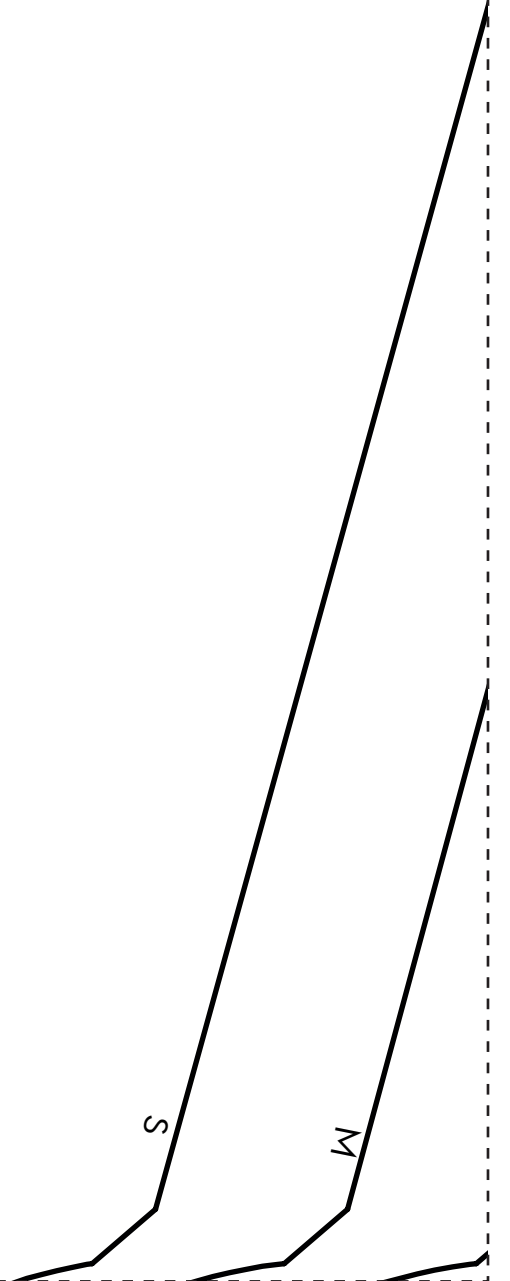
fold



7



CHLOE  
Back  
Cut 1 on



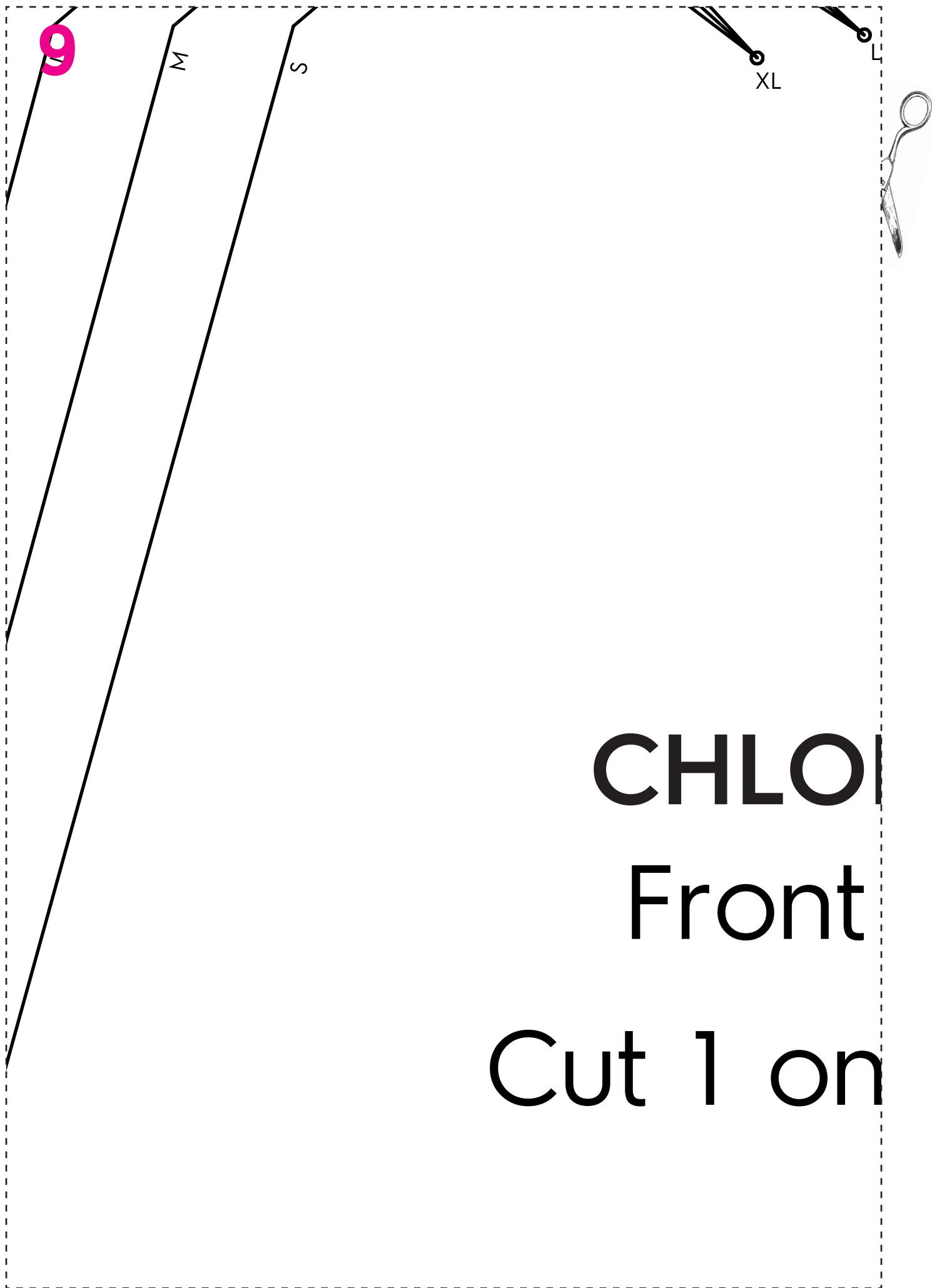


8

7X



7



**CHLOI**

**Front**

**Cut 1 on**

10<sup>1</sup>

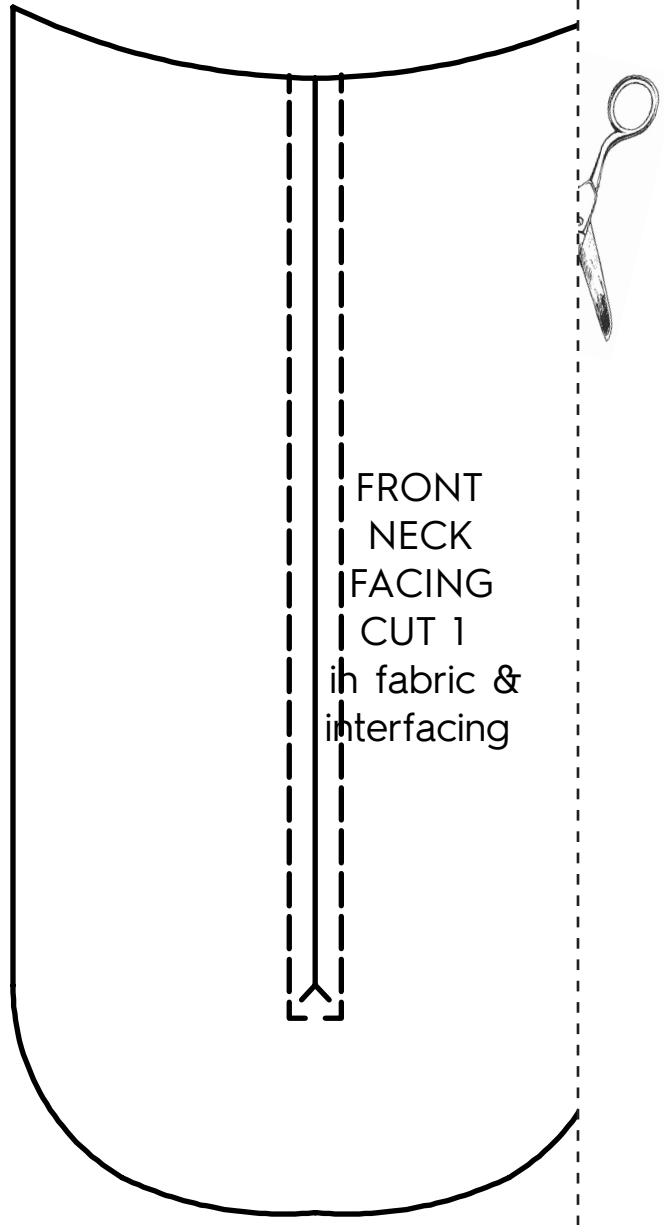
S

E

fold

PLACE ON FOLD

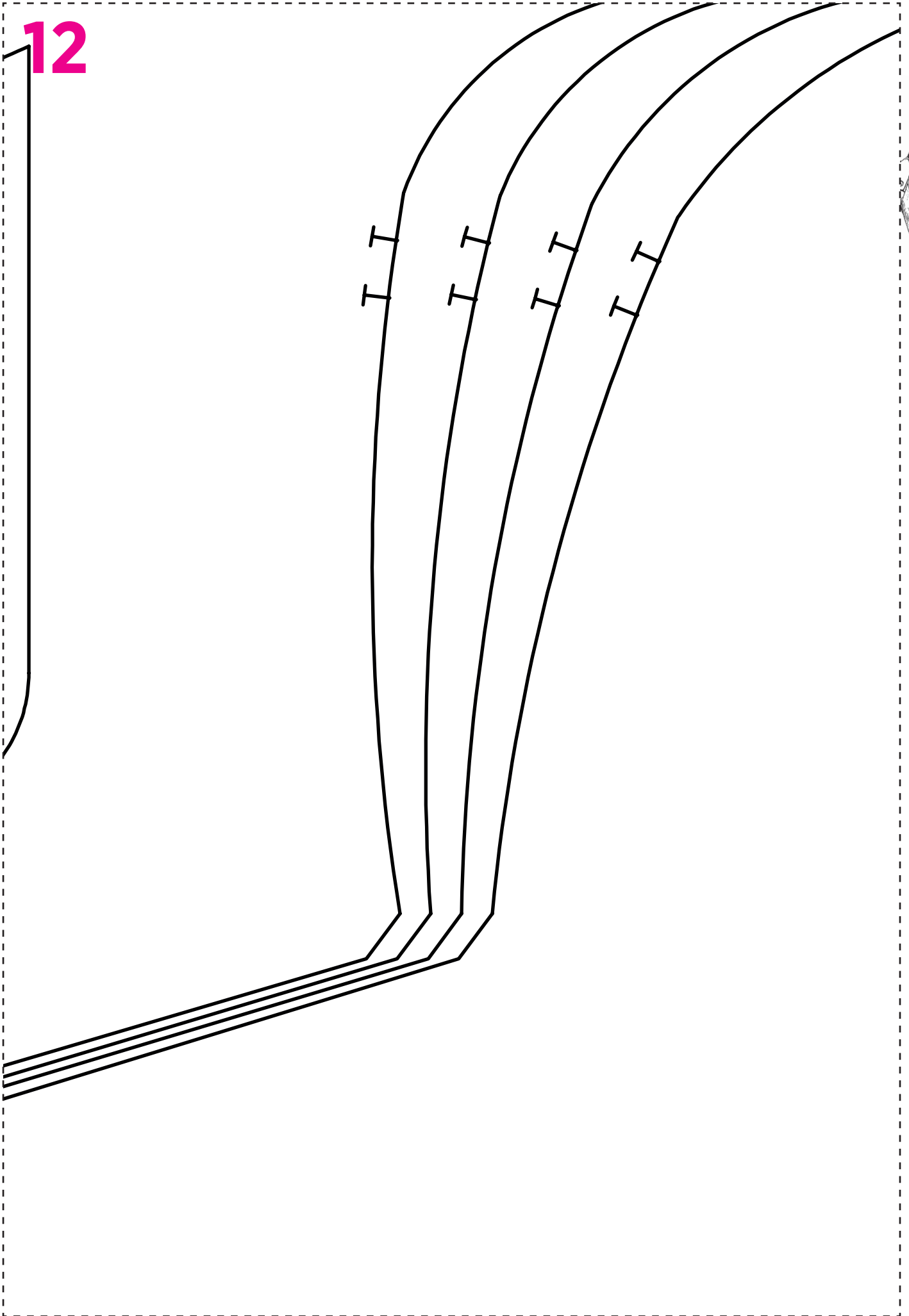




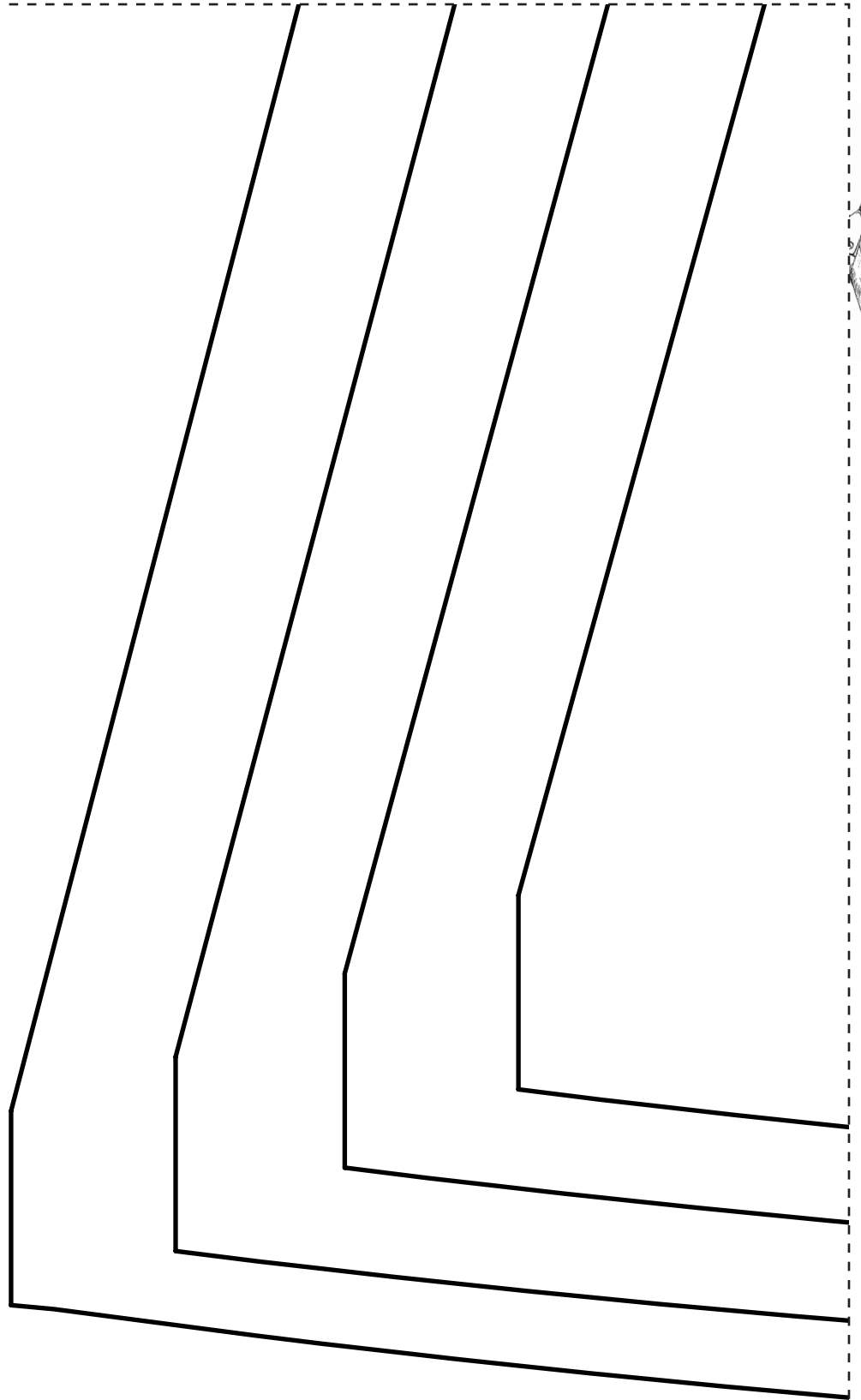
FRONT  
NECK  
FACING  
CUT 1  
in fabric &  
interfacing

S W 1 TX

12



13



© copyright Fiona Hesford  
www.sewgirl.co.uk



brd 2016



Size S

Size M

Size L

Size XL