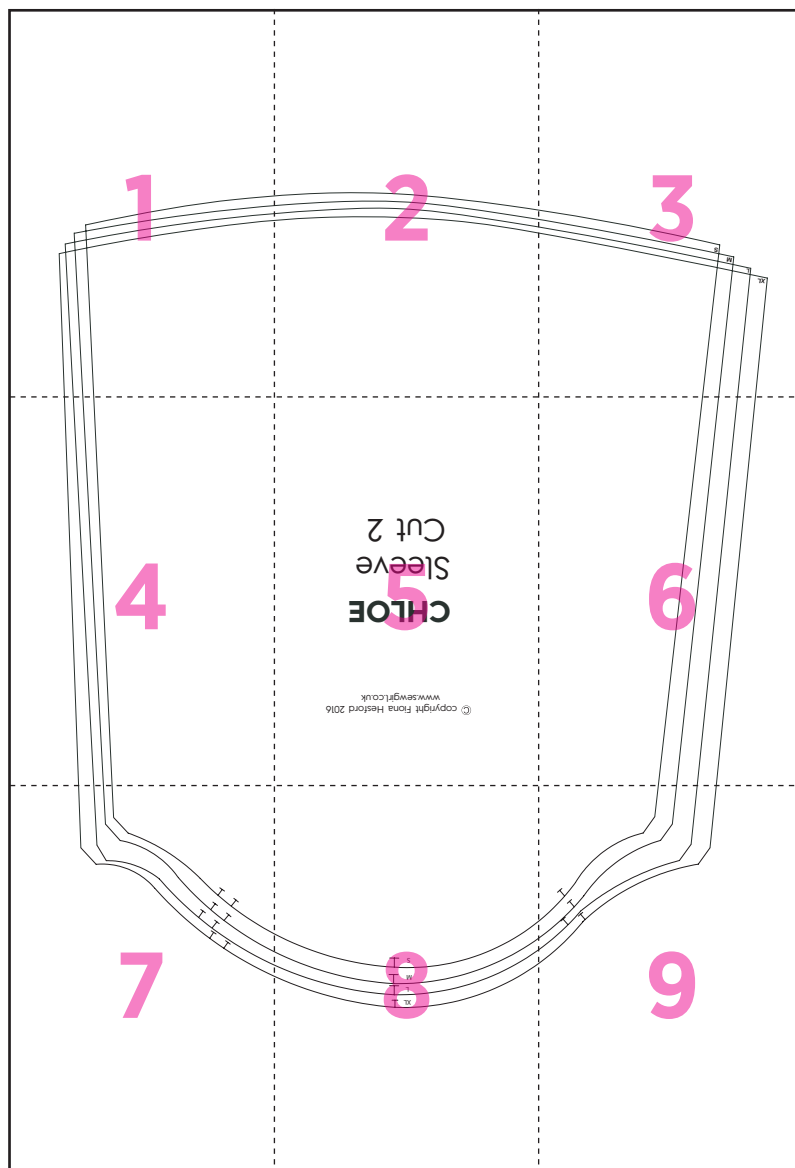
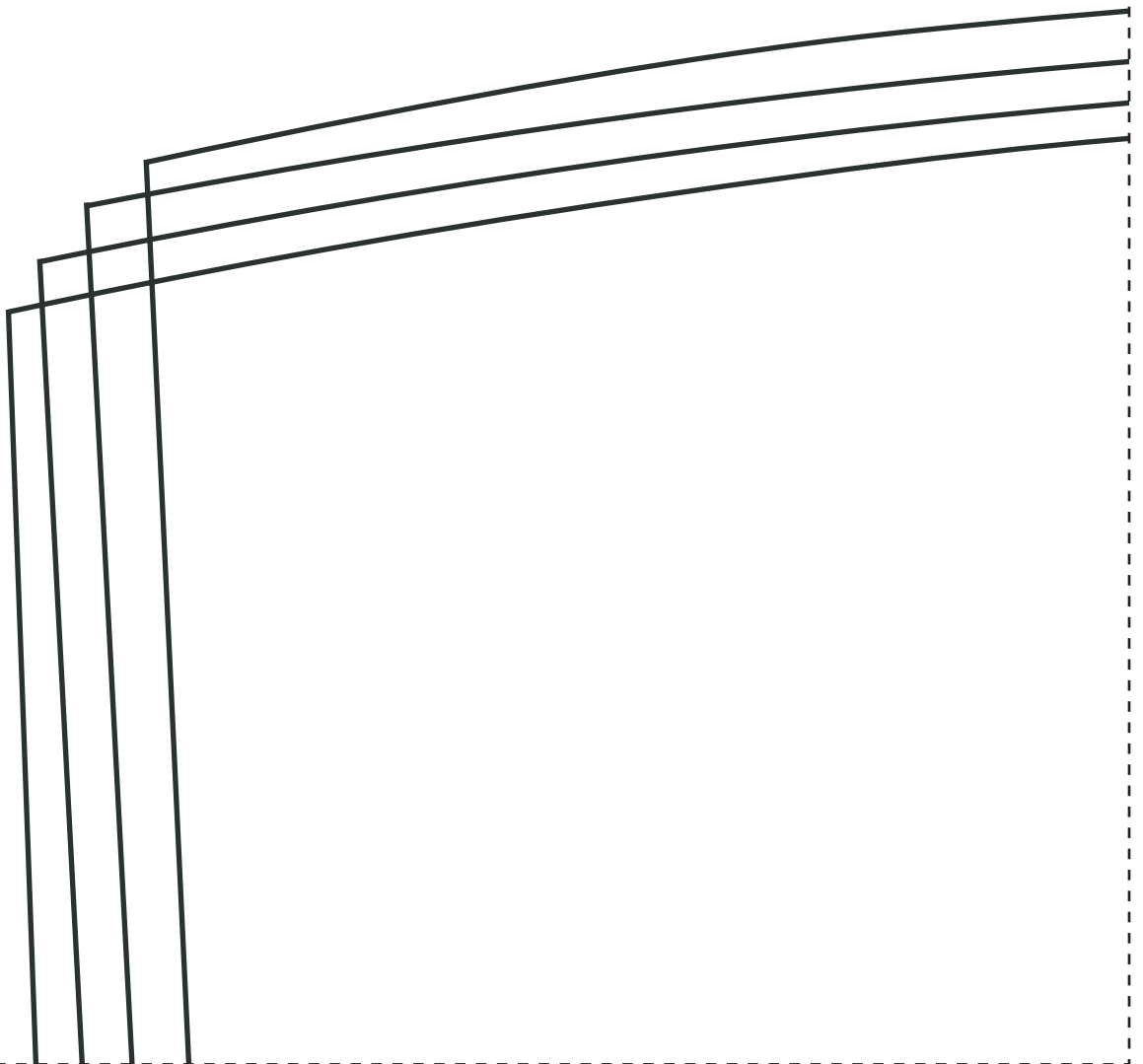


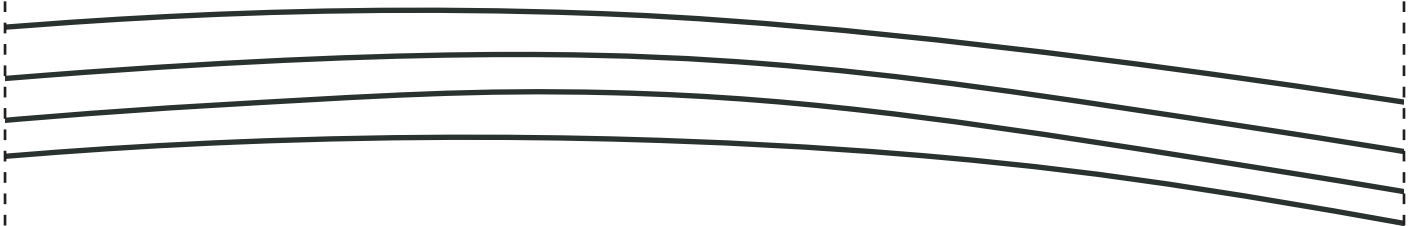
CHLOE KEYHOLE BLOUSE



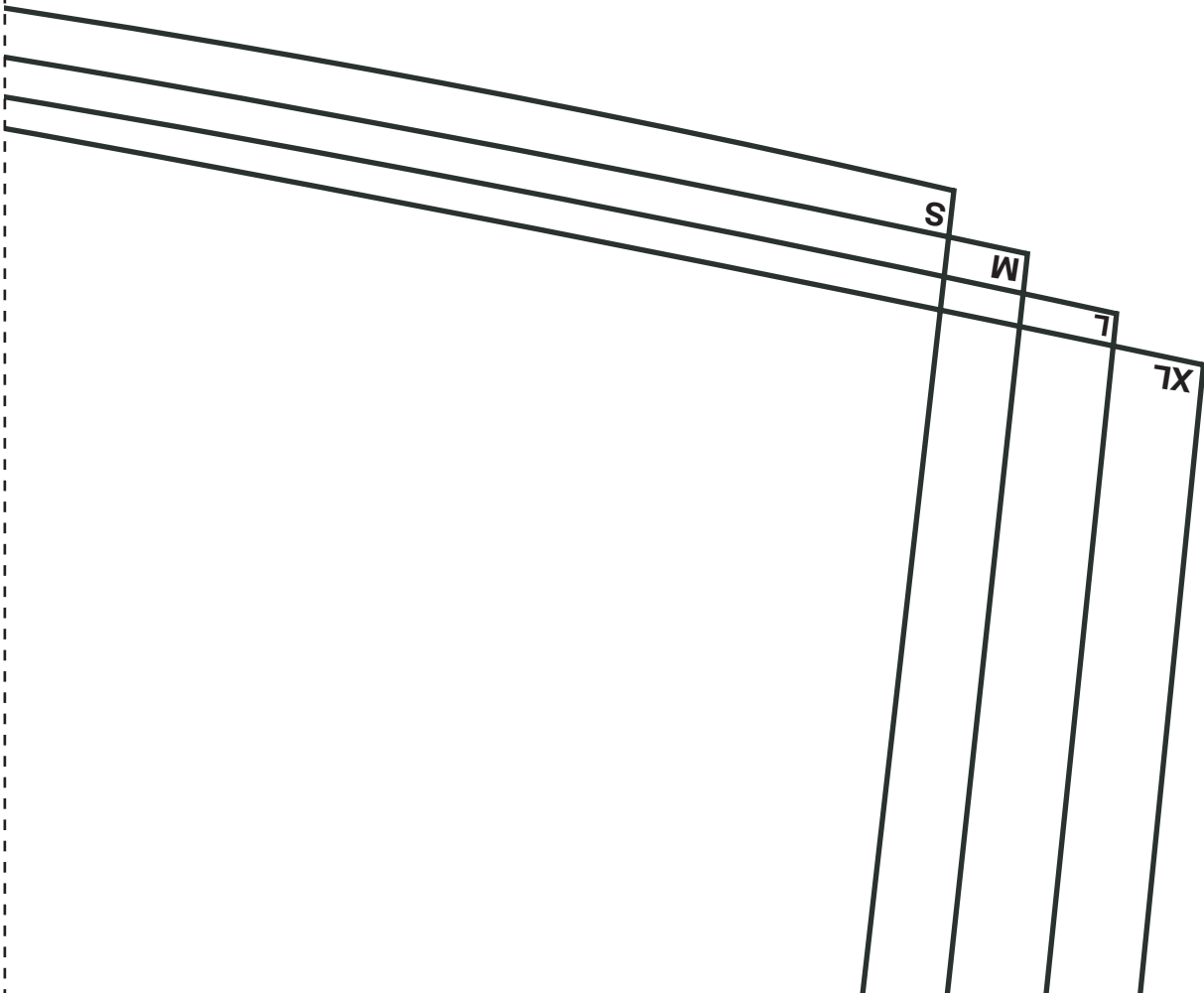
1



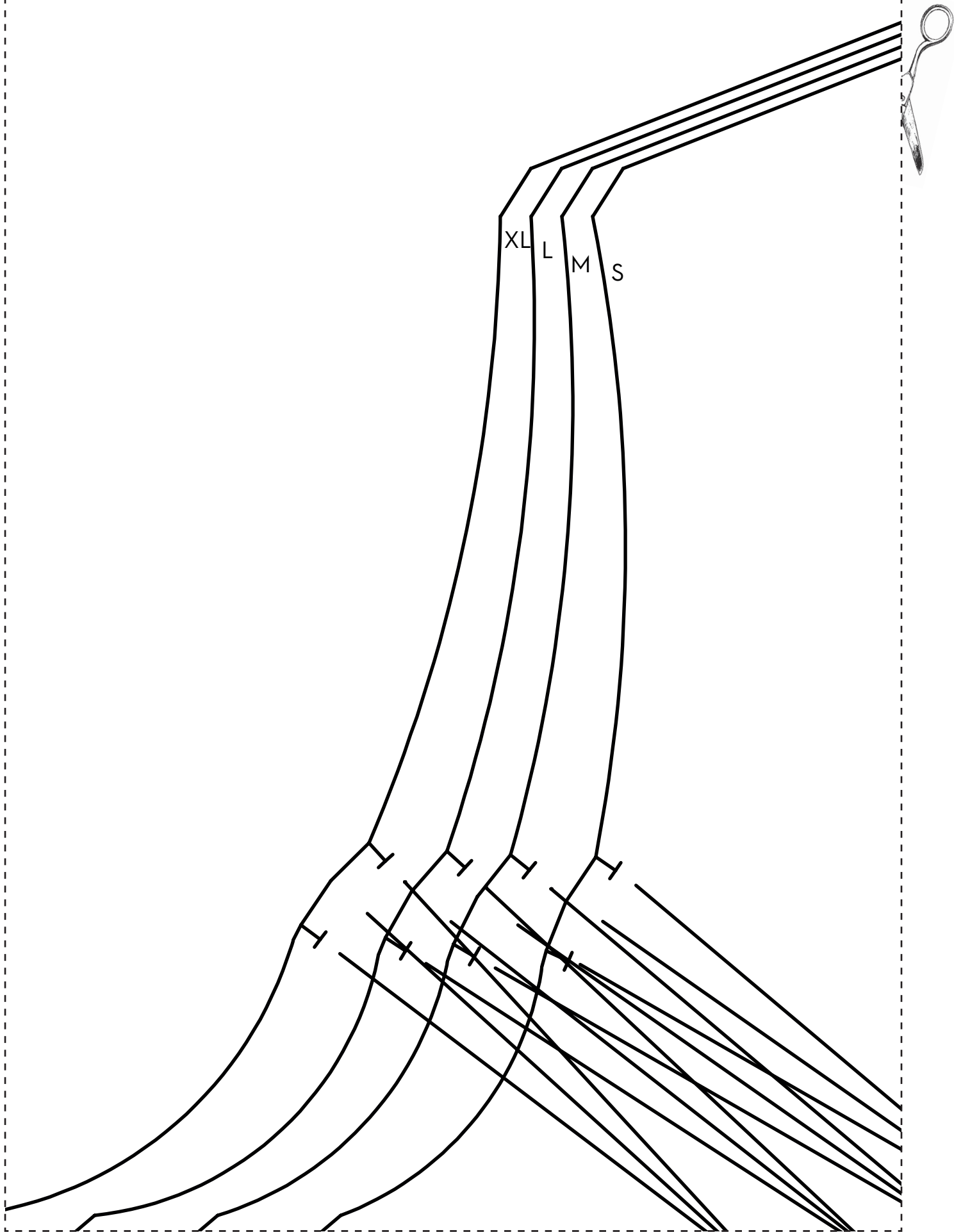
2



3



4



5



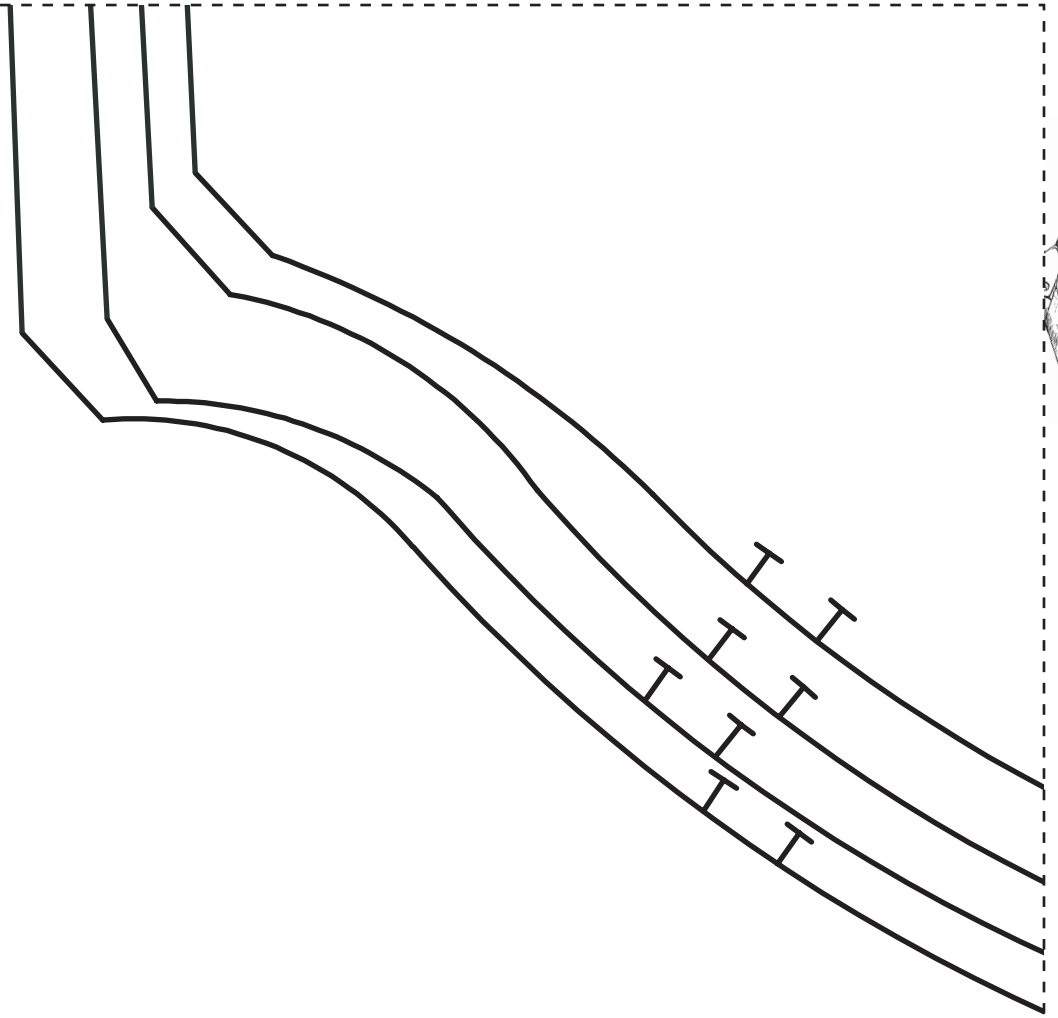
CHLOE Sleeve Cut 2

© copyright Fiona Hesford 2016
www.sewgirl.co.uk

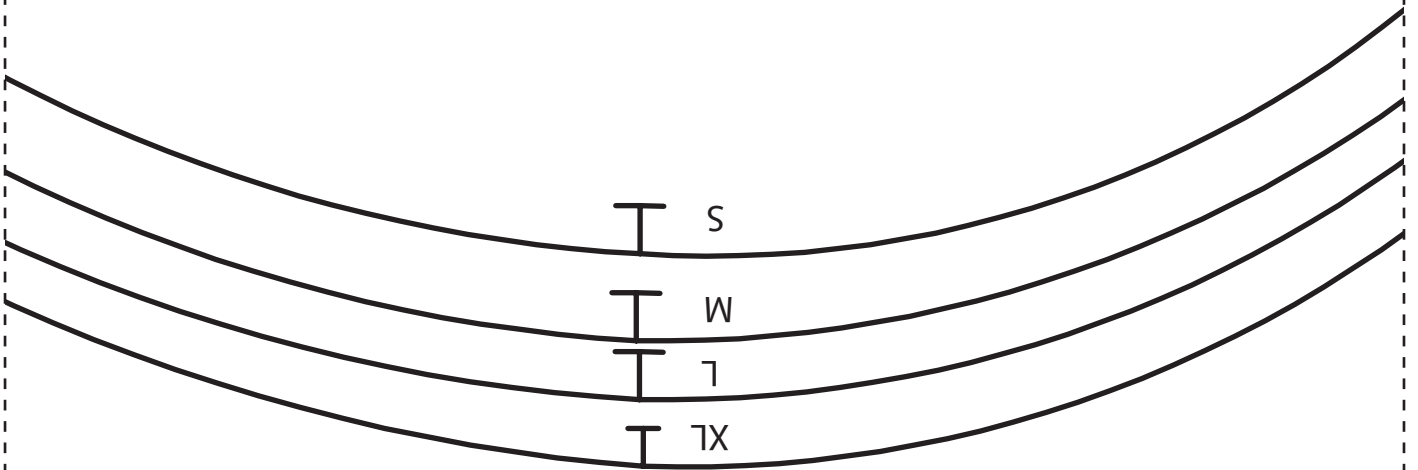
6



7



8



9

