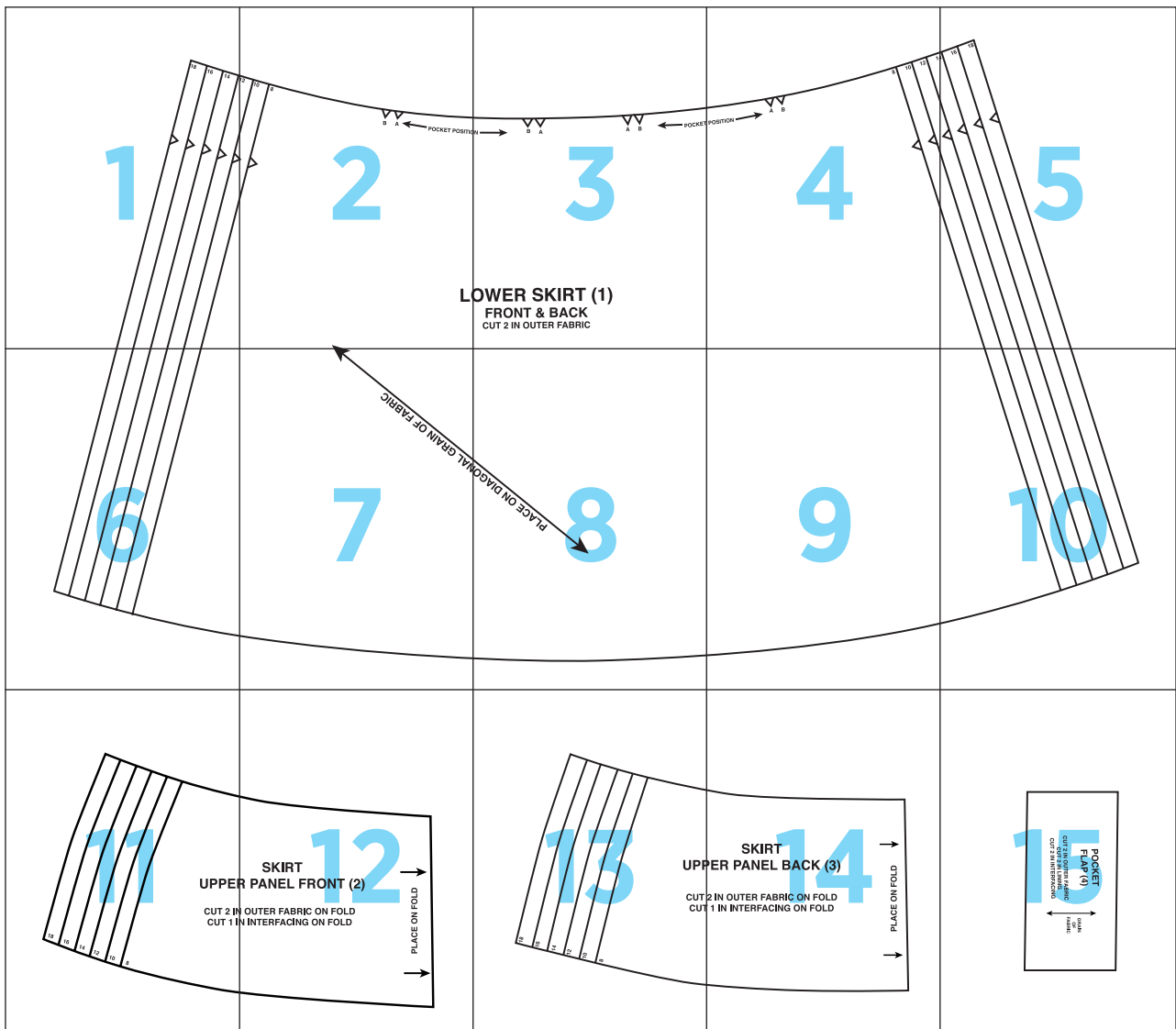
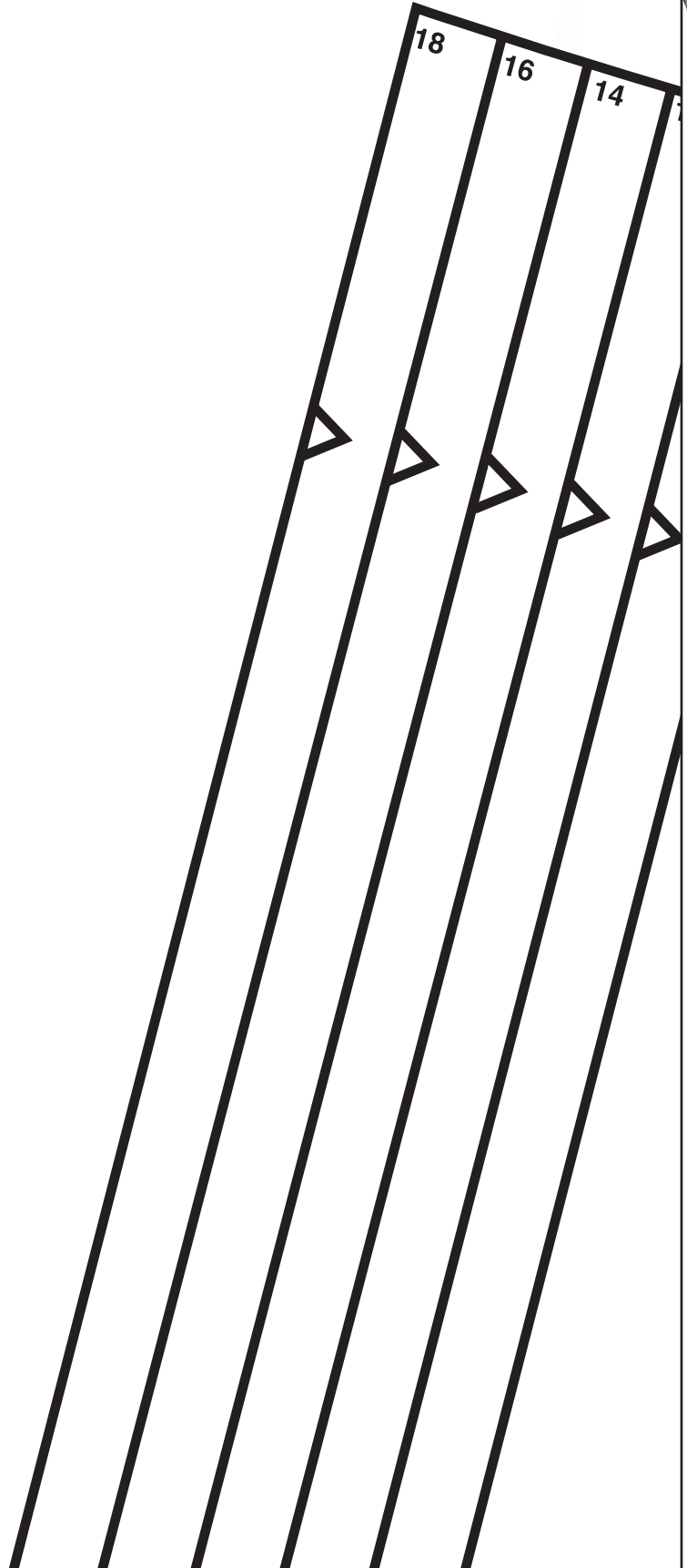


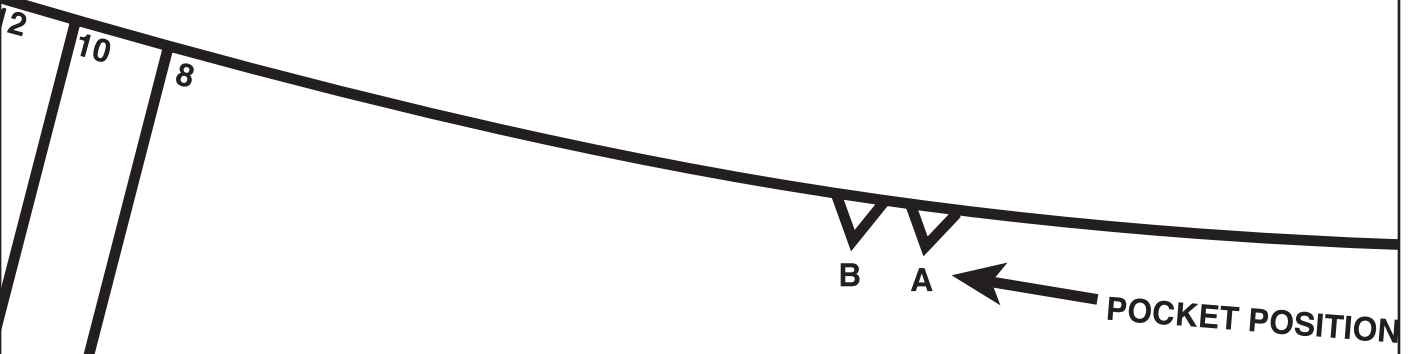
Tartan Skirt



1



2



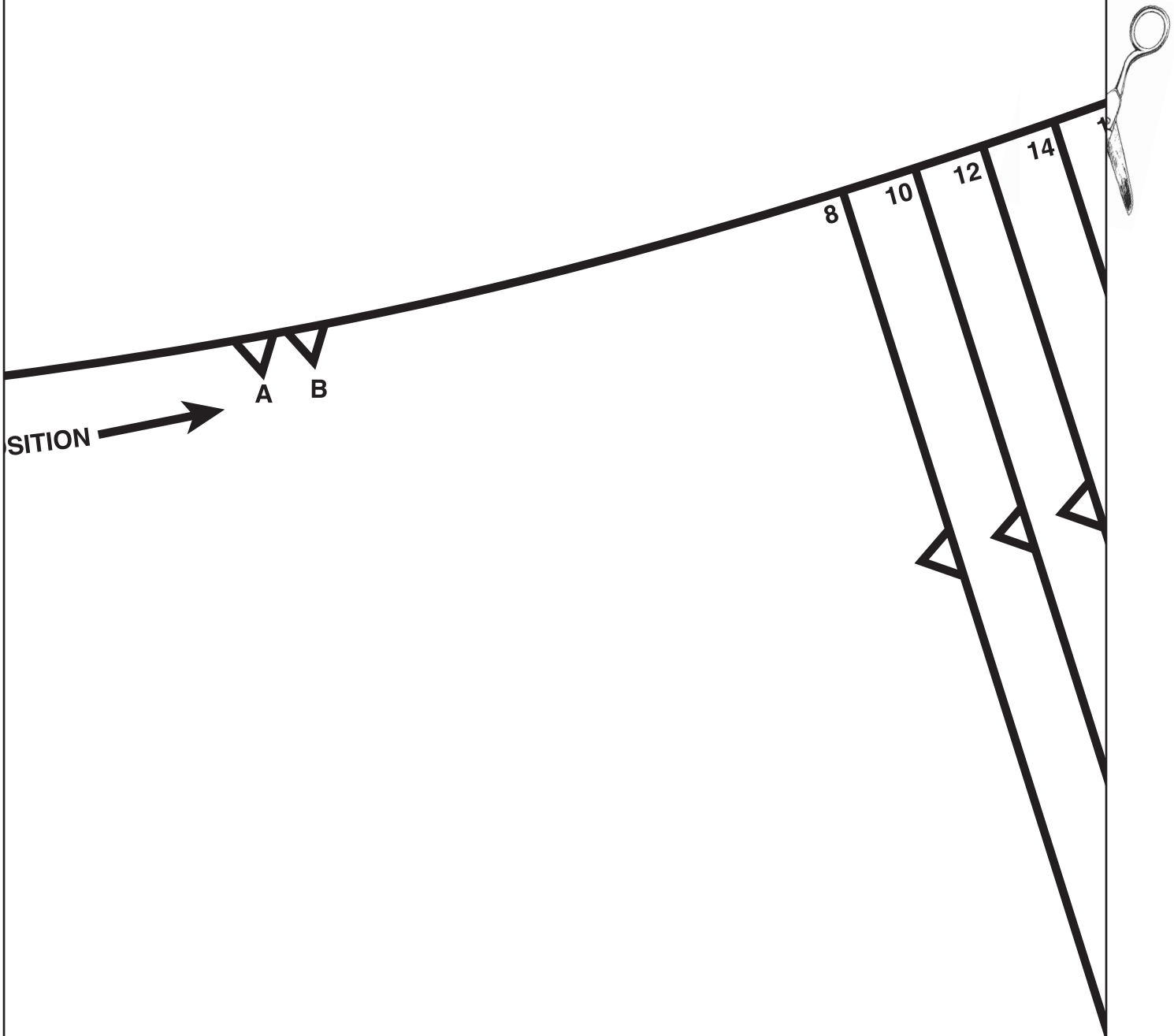
LC

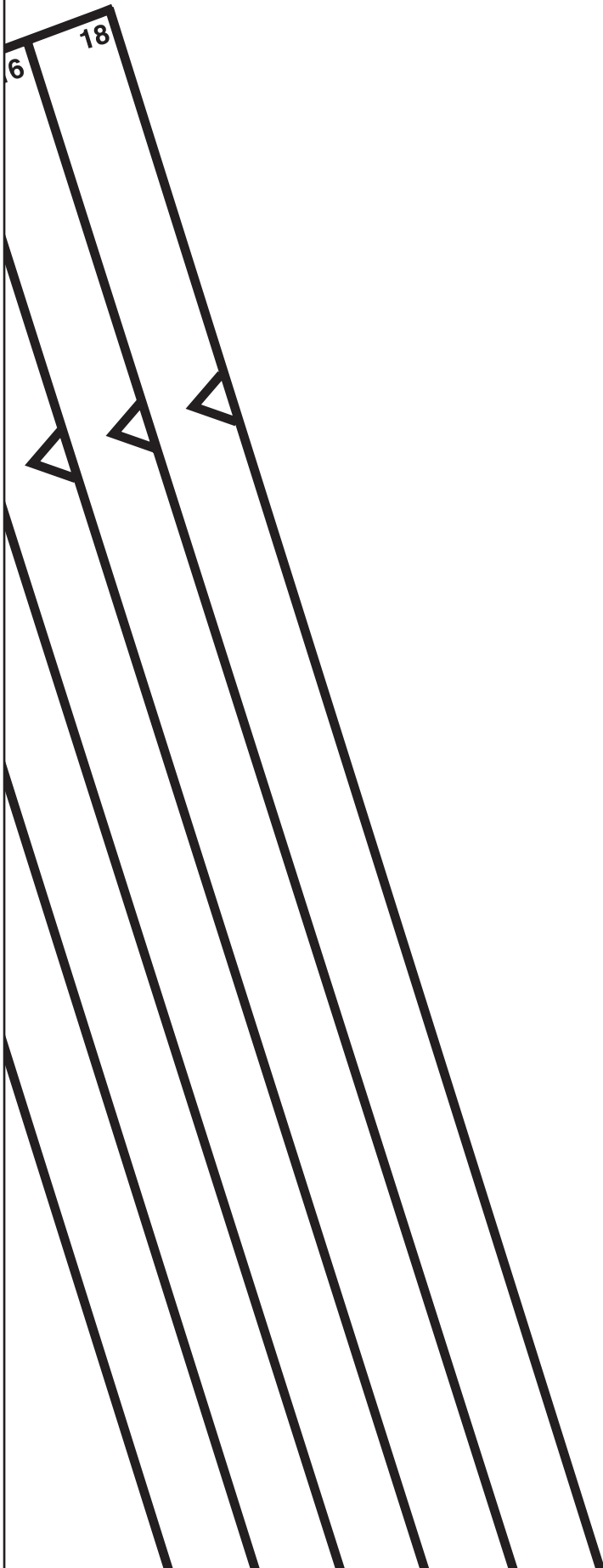
3



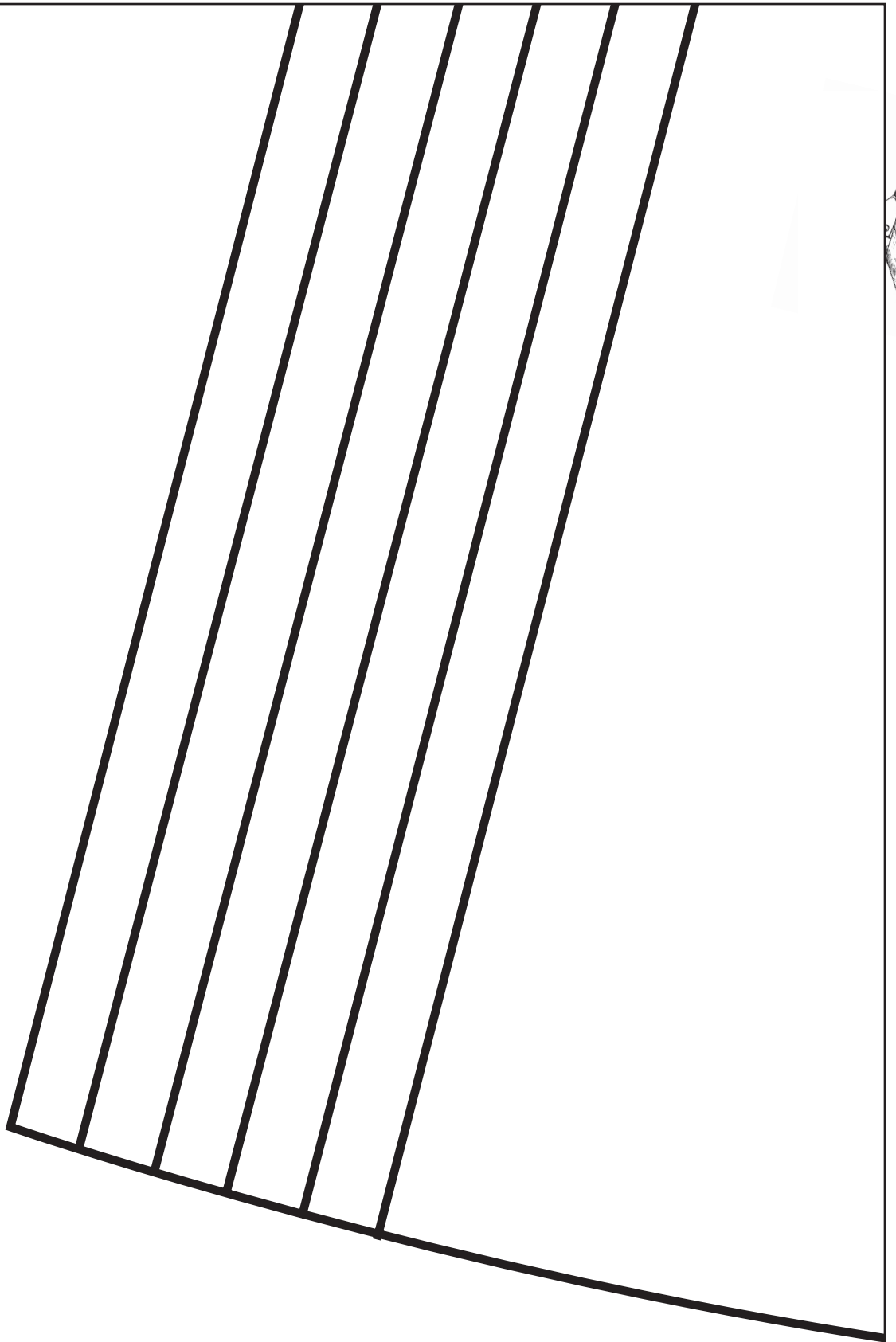
DOWER SKIRT (1)
FRONT & BACK
CUT 2 IN OUTER FABRIC

4





6



7

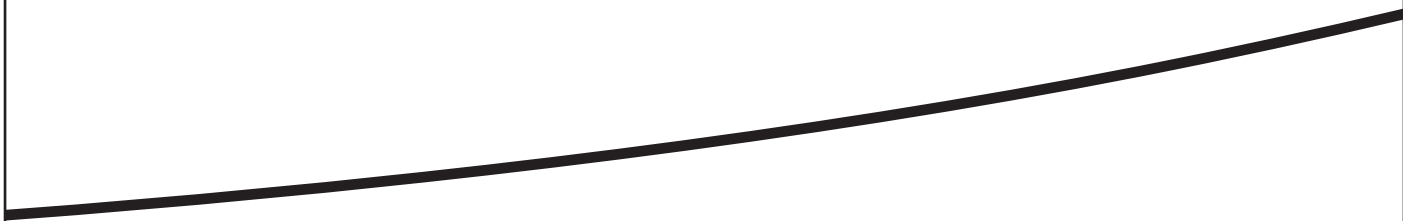
ONAL GRAIN OF FABRIC



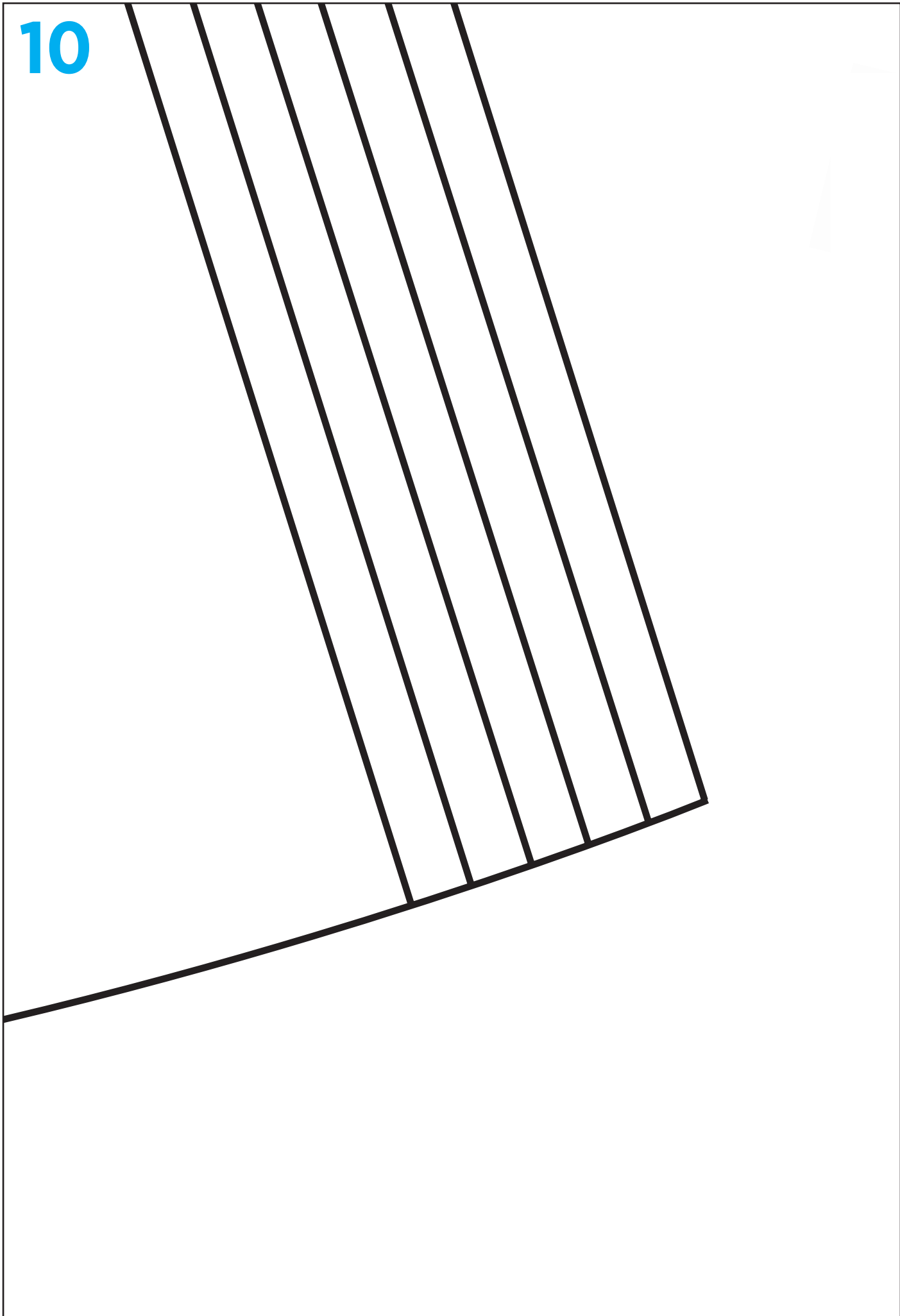
8

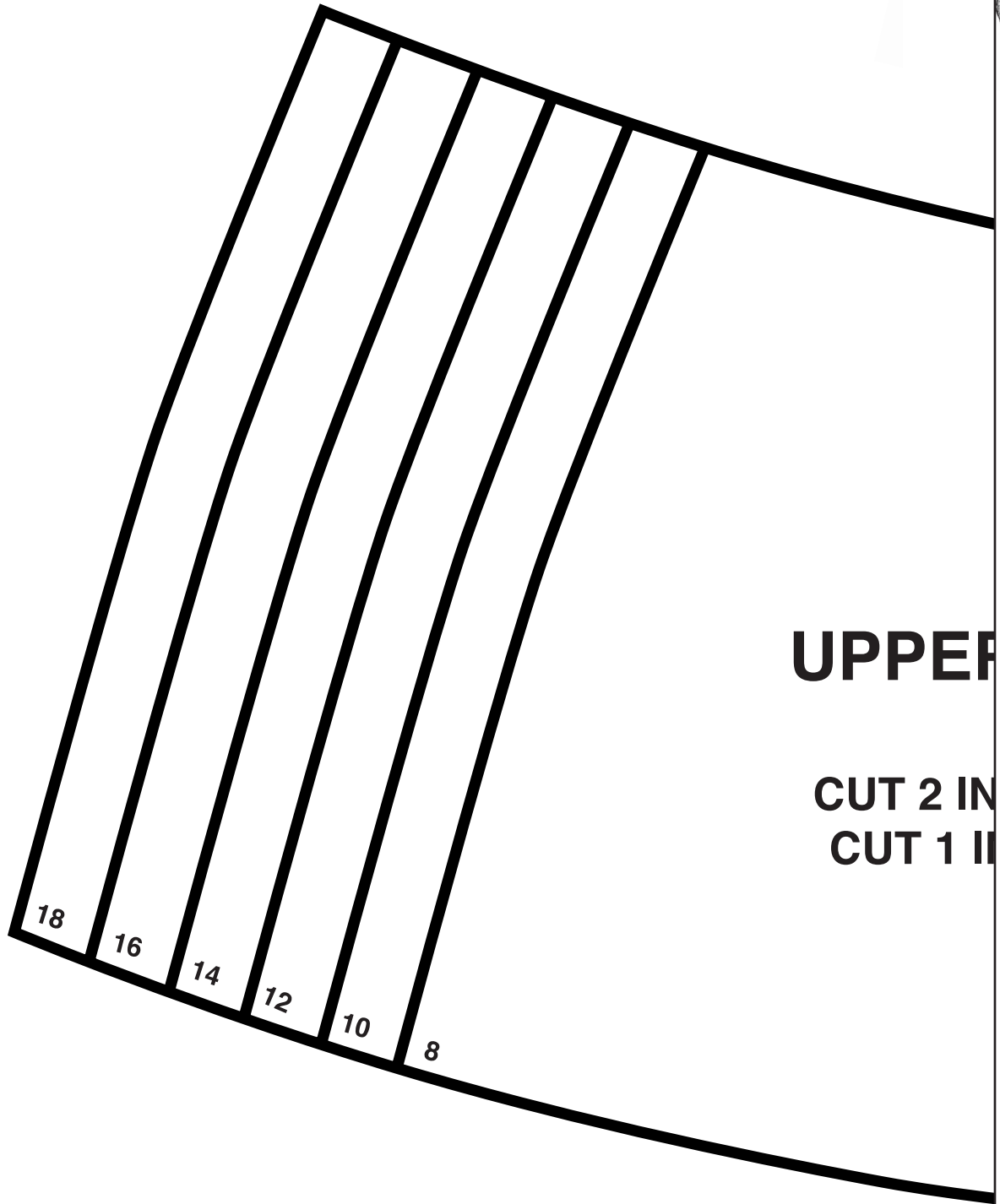


PLACE ON DIAGRAM



10



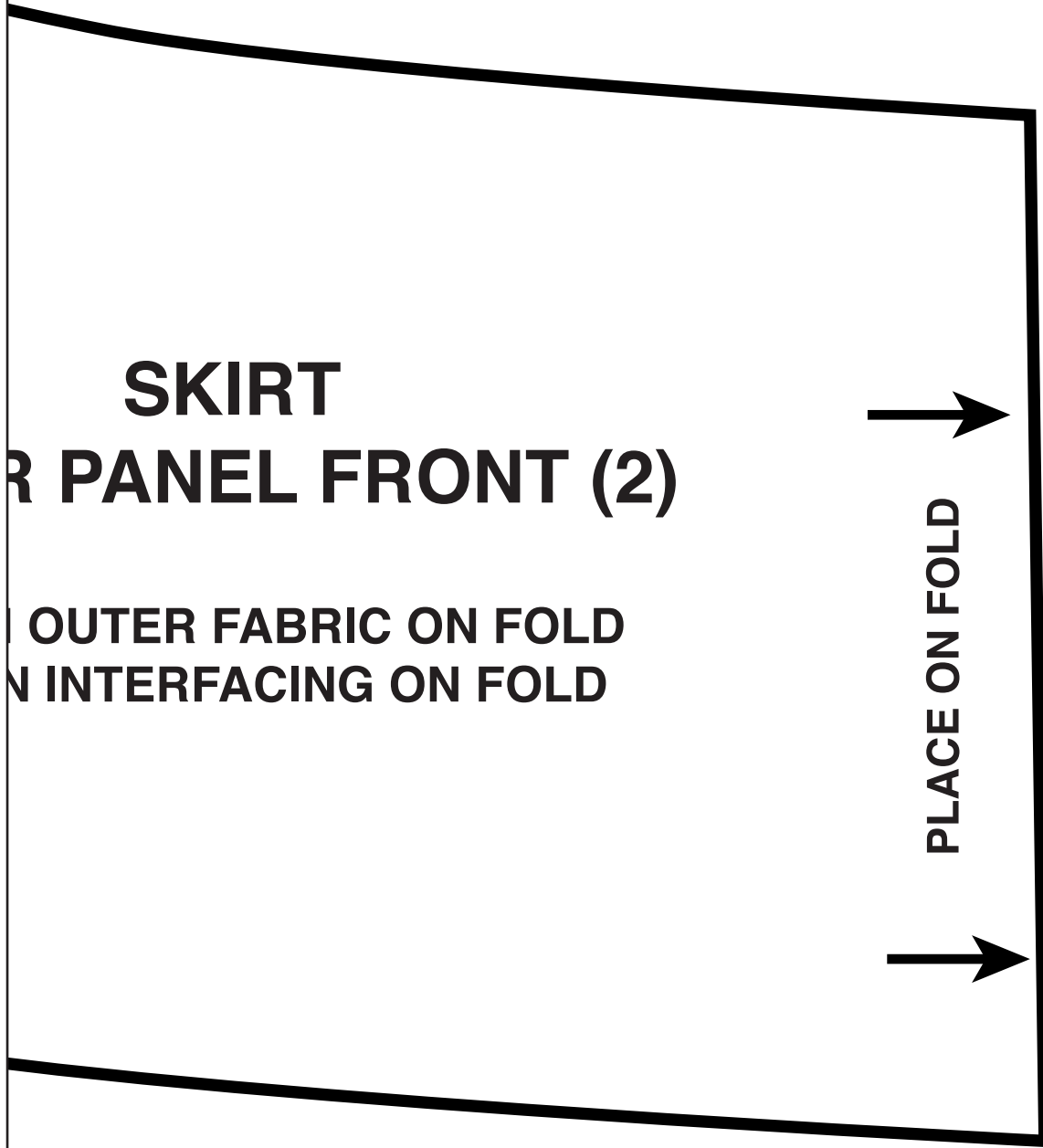


UPPER

CUT 2 IN

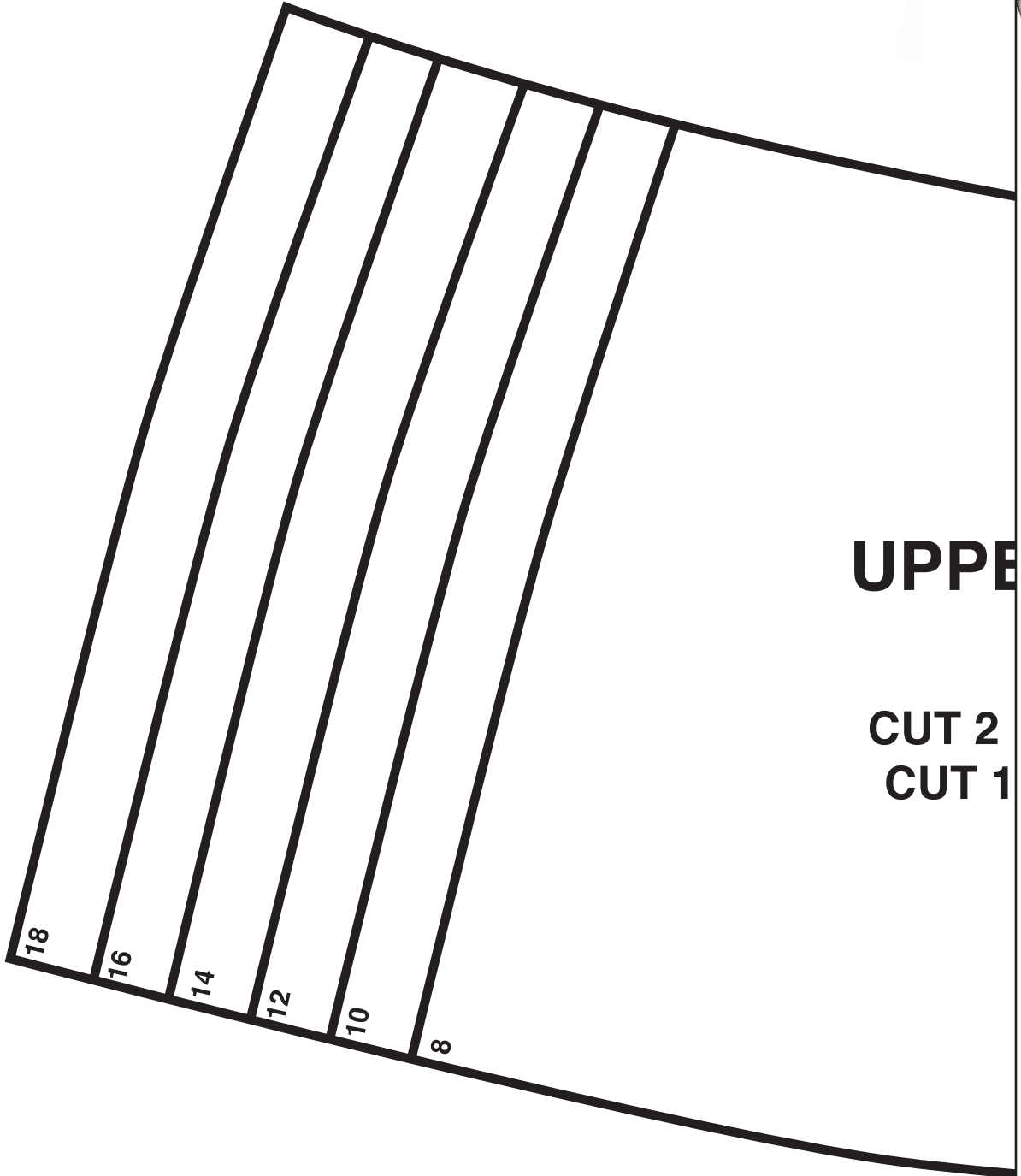
CUT 1 IN

12



**SKIRT
FRONT PANEL FRONT (2)**

**OUTER FABRIC ON FOLD
INNER INTERFACING ON FOLD**



14



**SKIRT
FRONT PANEL BACK (3)**

**SEW IN OUTER FABRIC ON FOLD
SEW IN INTERFACING ON FOLD**



PLACE ON FOLD



