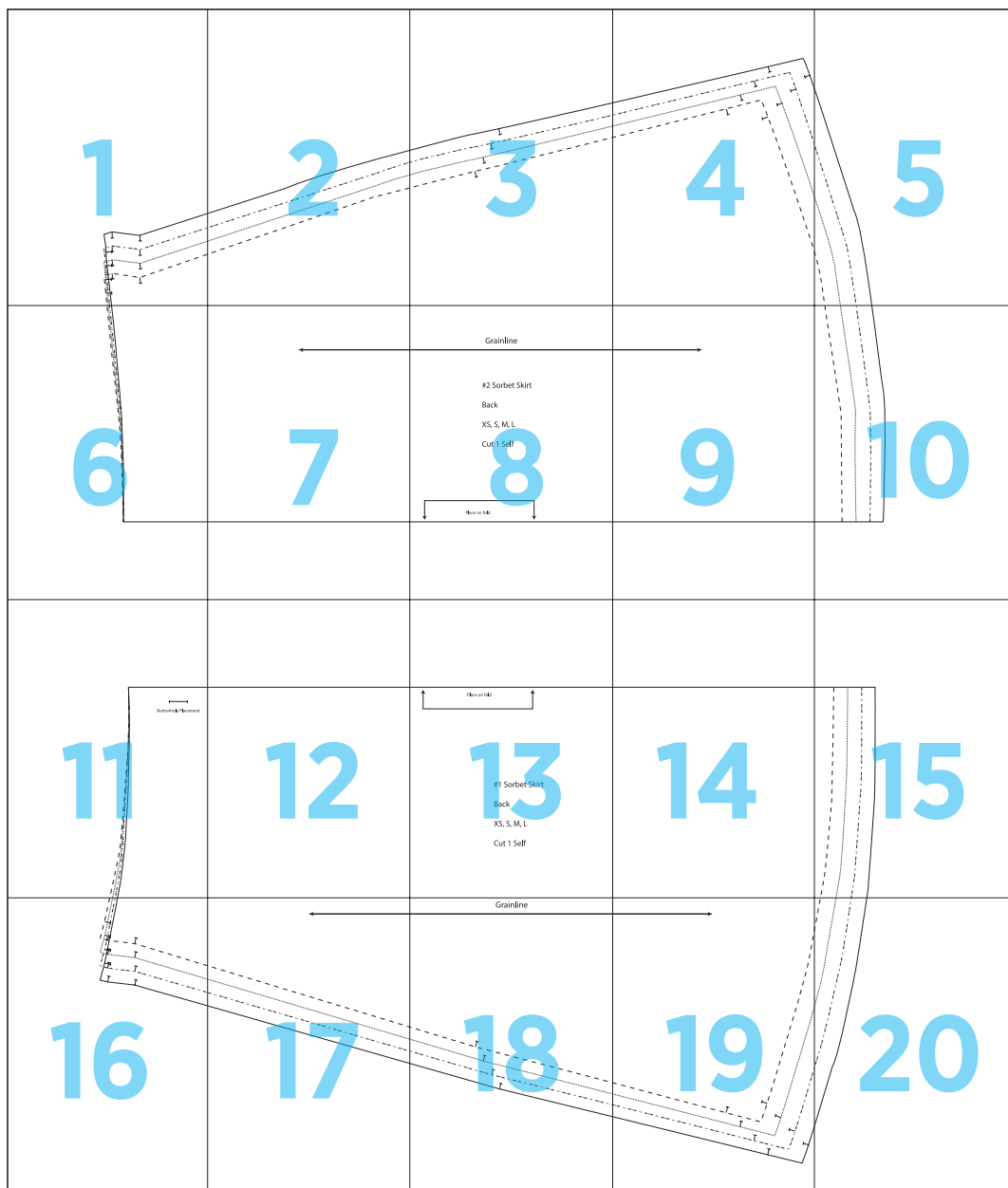
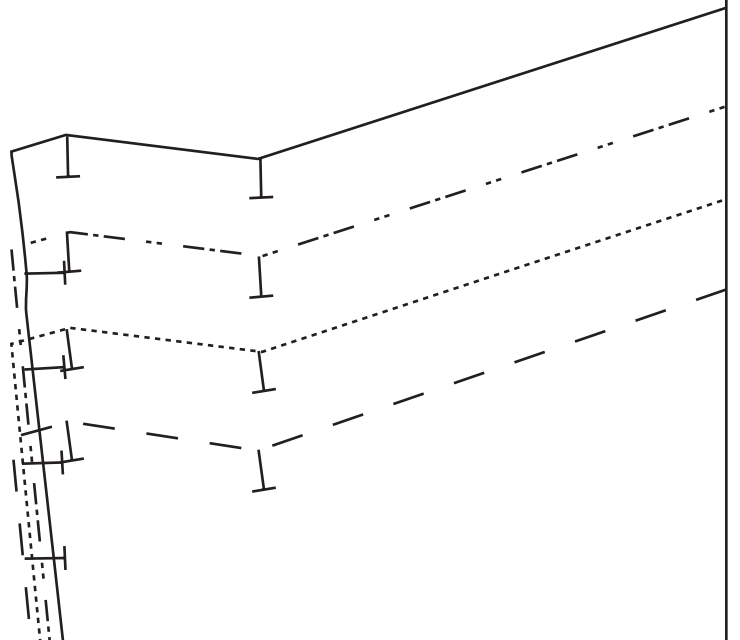


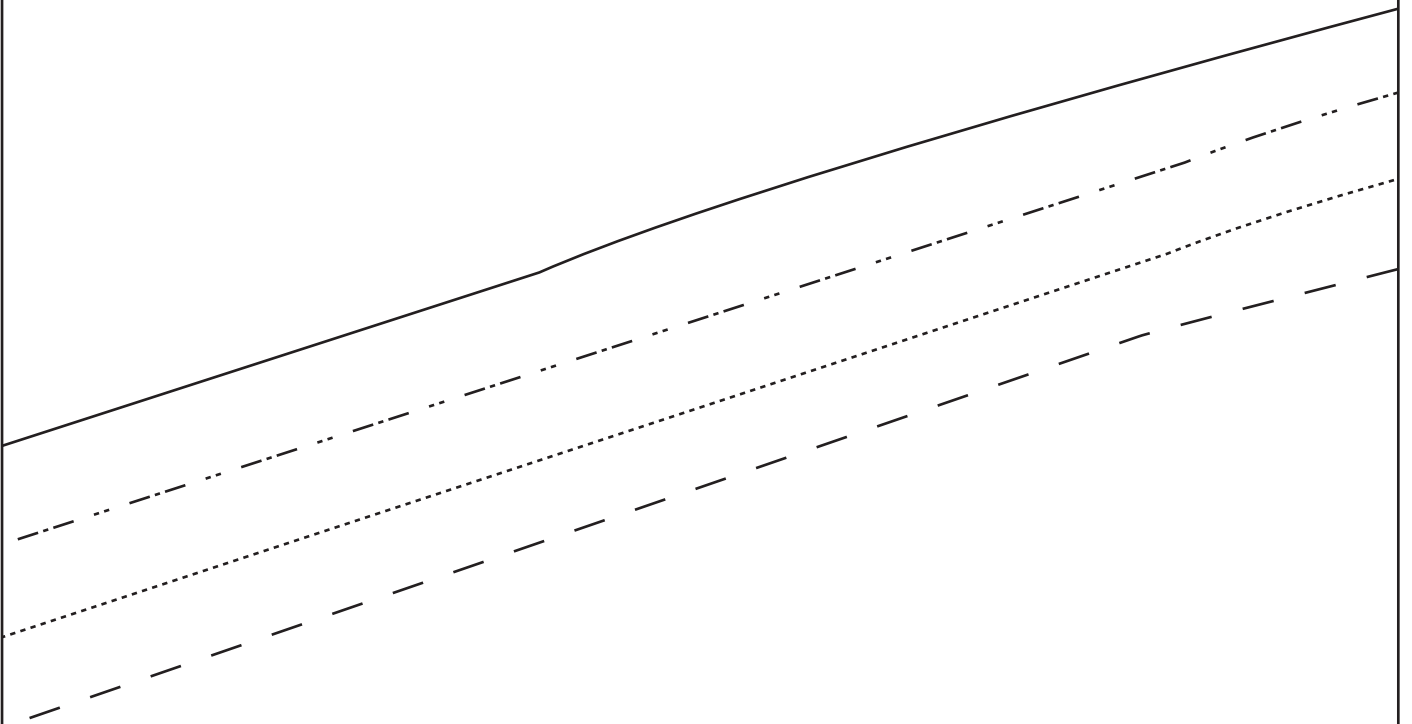
# Sorbet Skirt



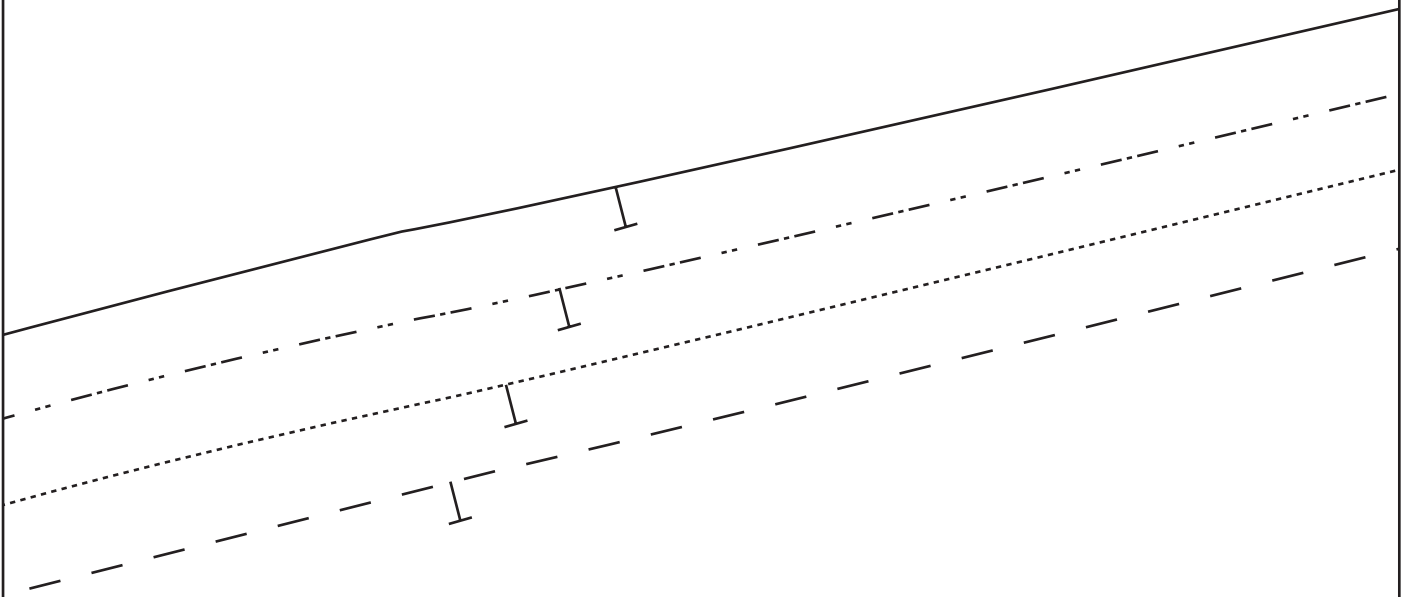
1



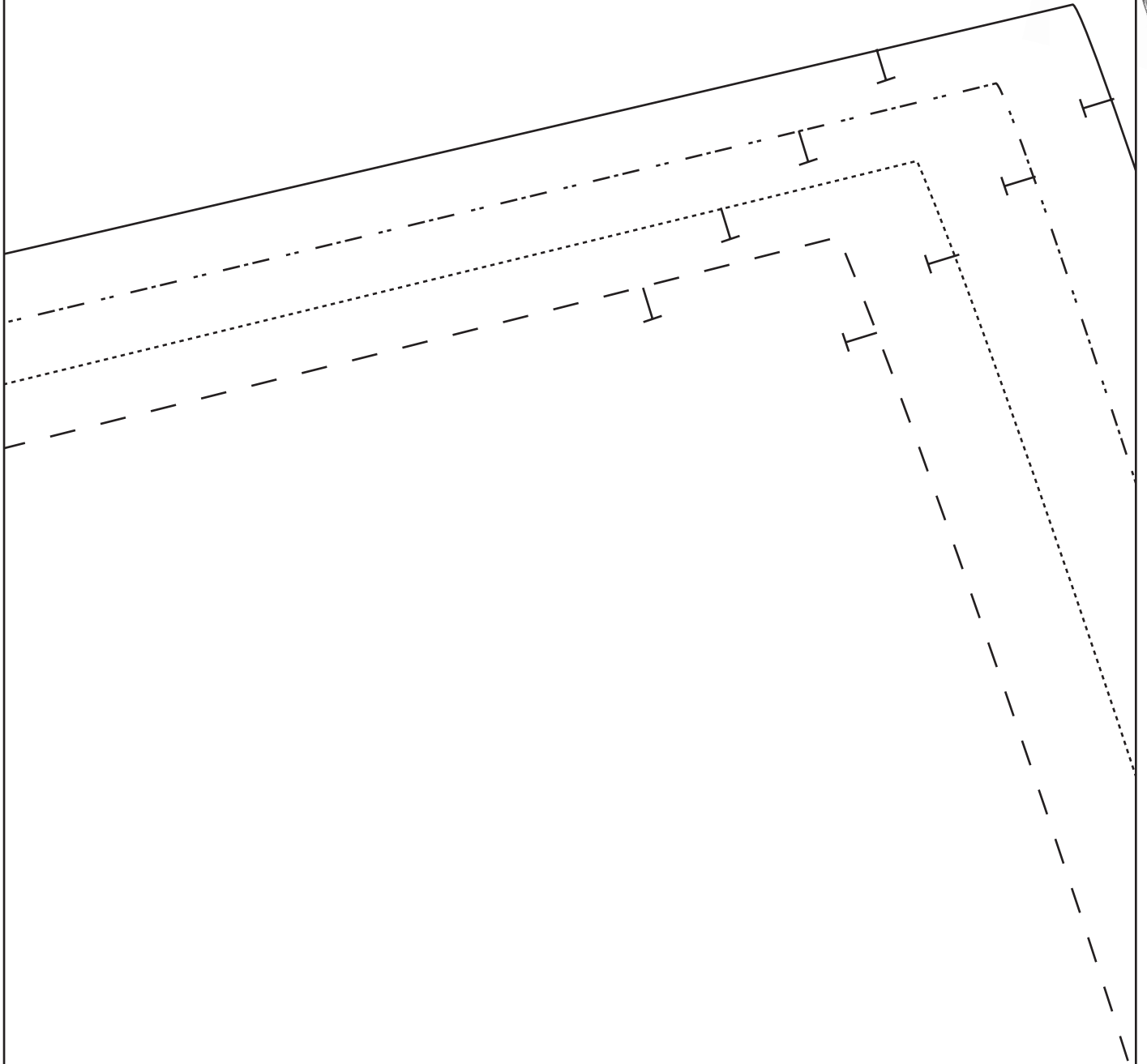
2



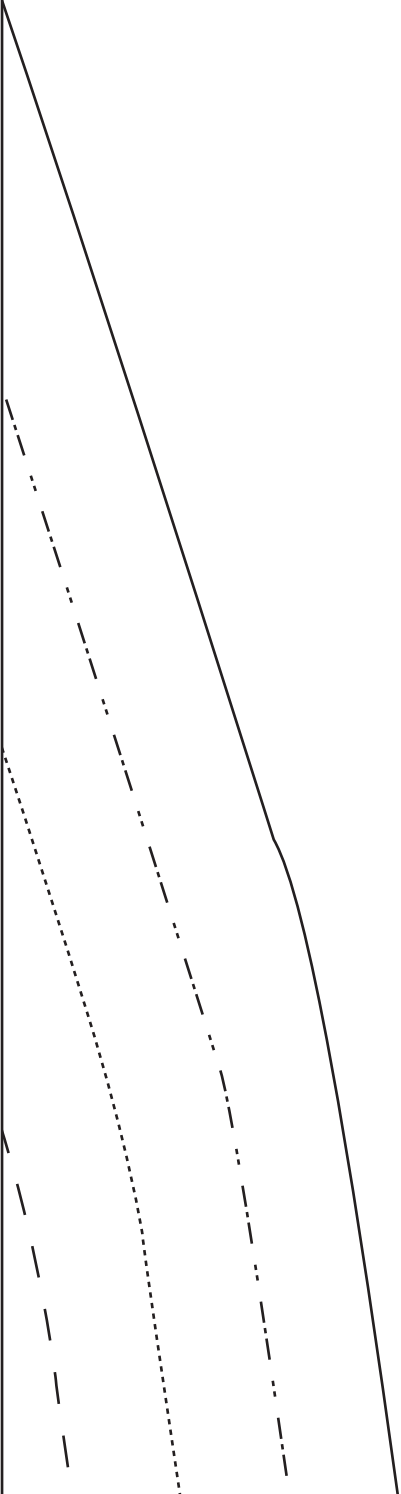
3



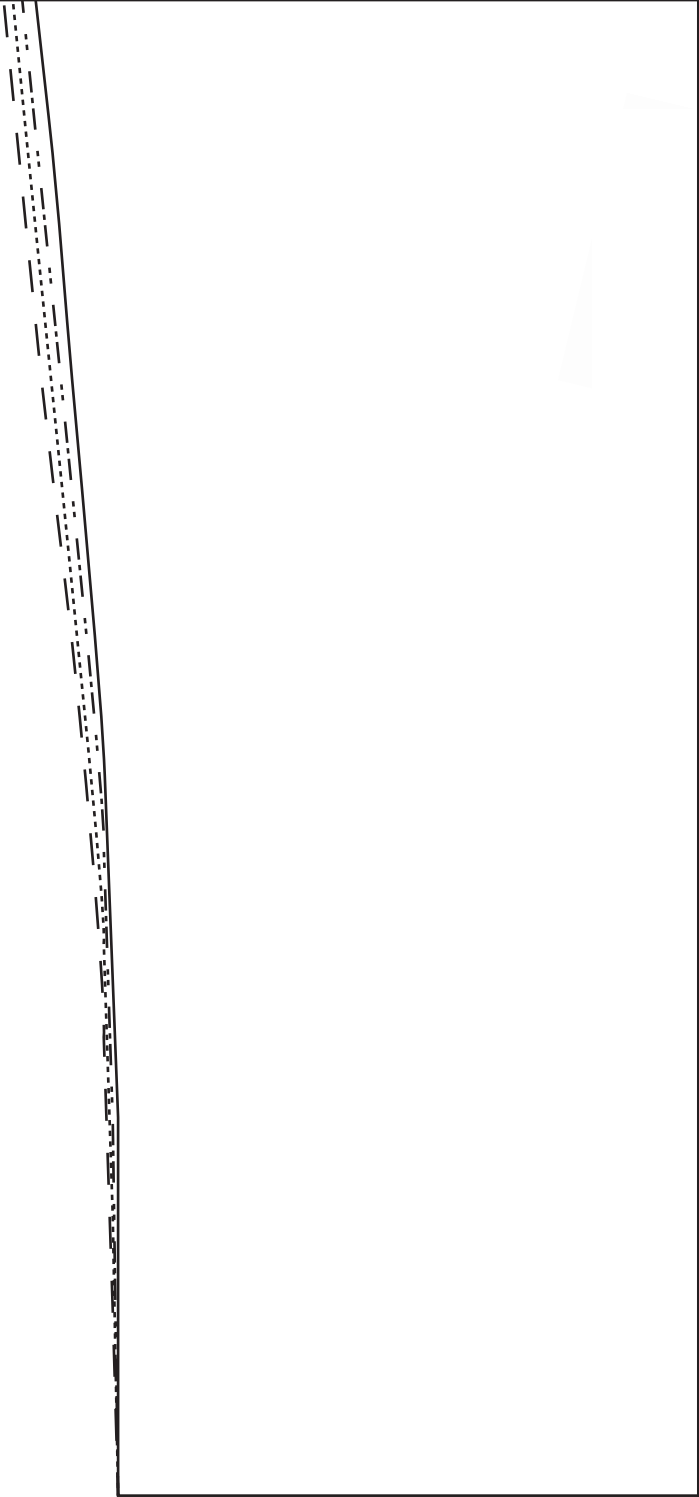
4



5



6



7





8

Grainline



#2 Sorbet Skirt

Back

XS, S, M, L

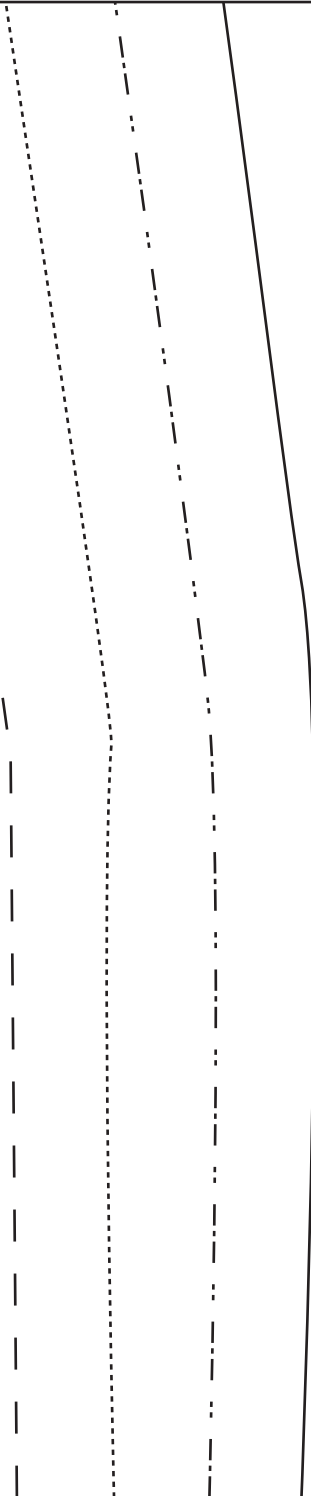
Cut 1 Self



9

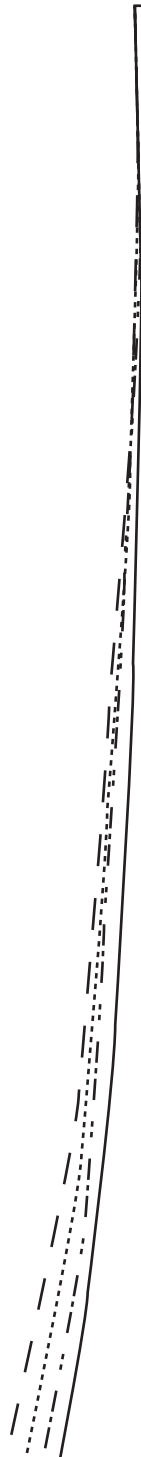


10



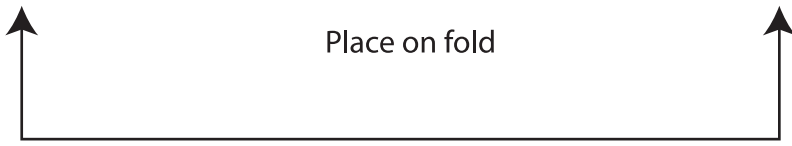


┌───┐  
Buttonhole Placement





13



#1 Sorbet Skirt

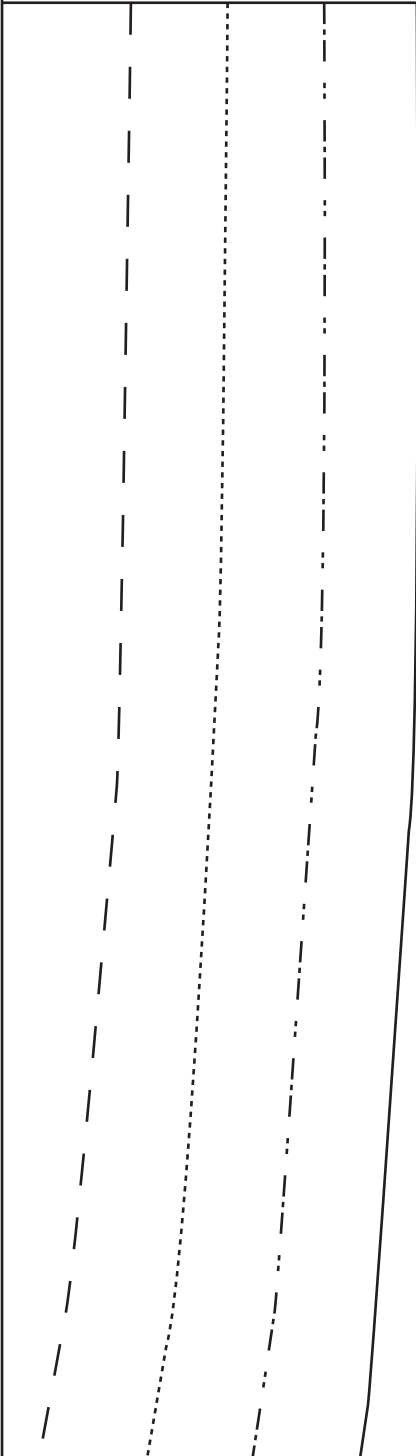
Back

XS, S, M, L

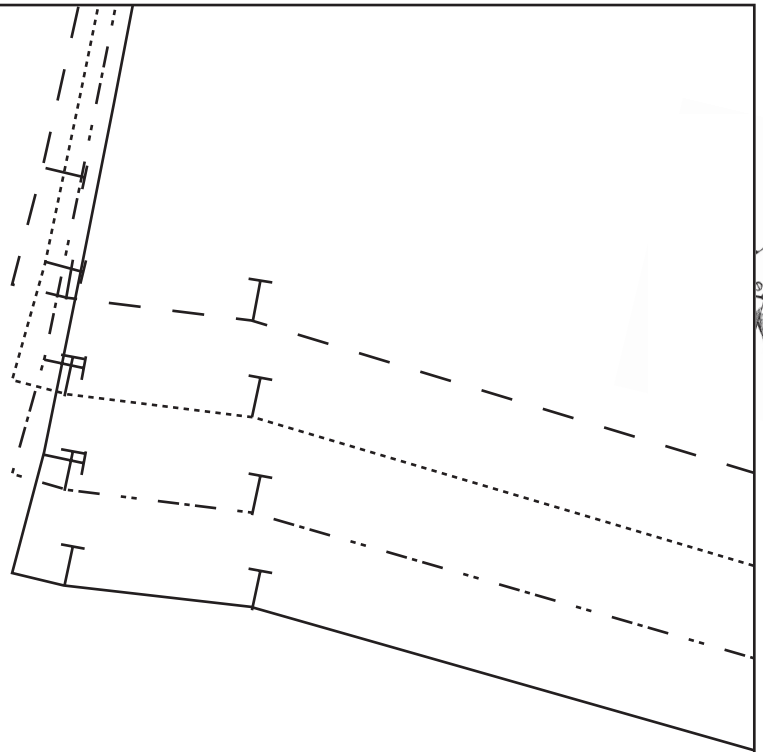
Cut 1 Self



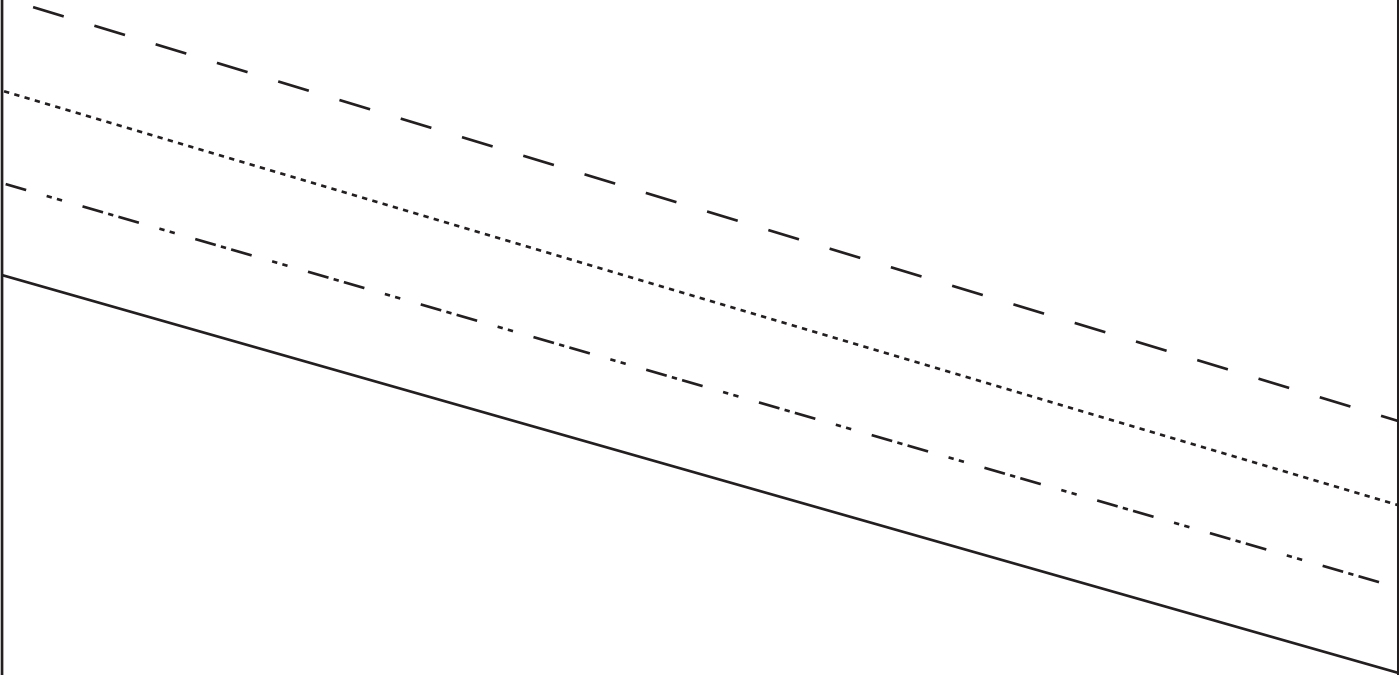
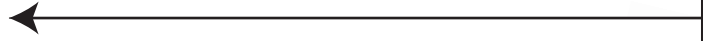
15

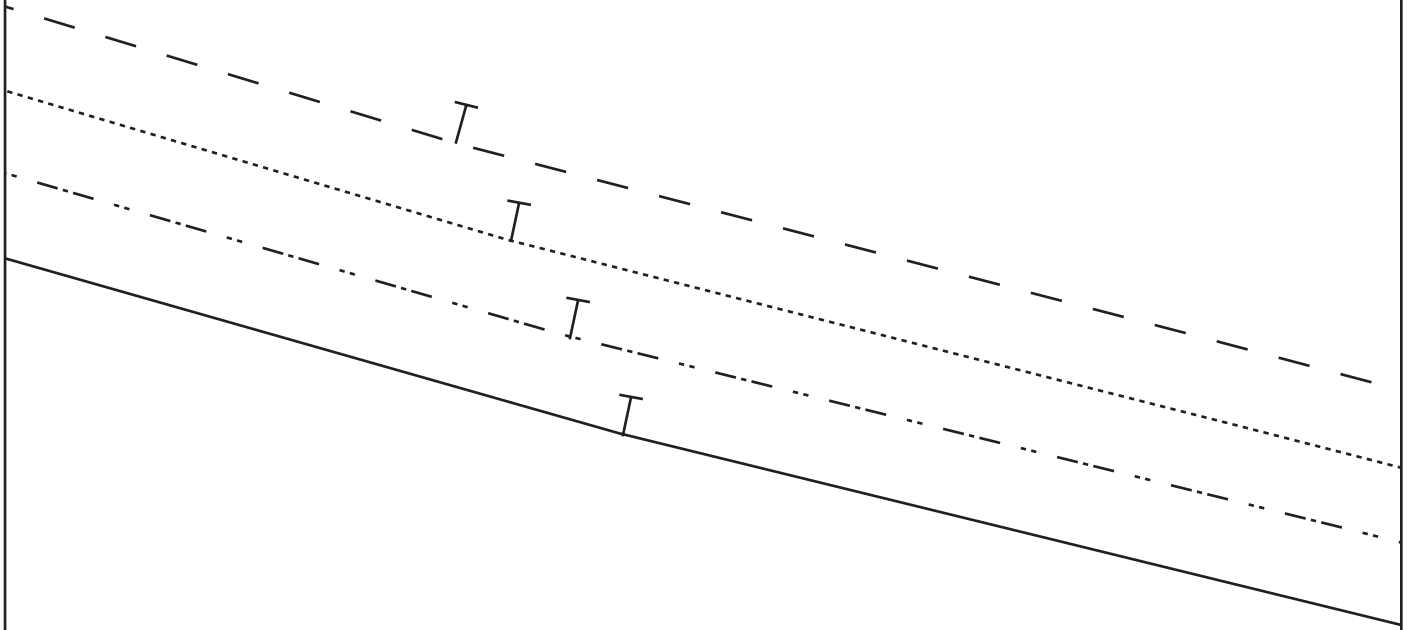


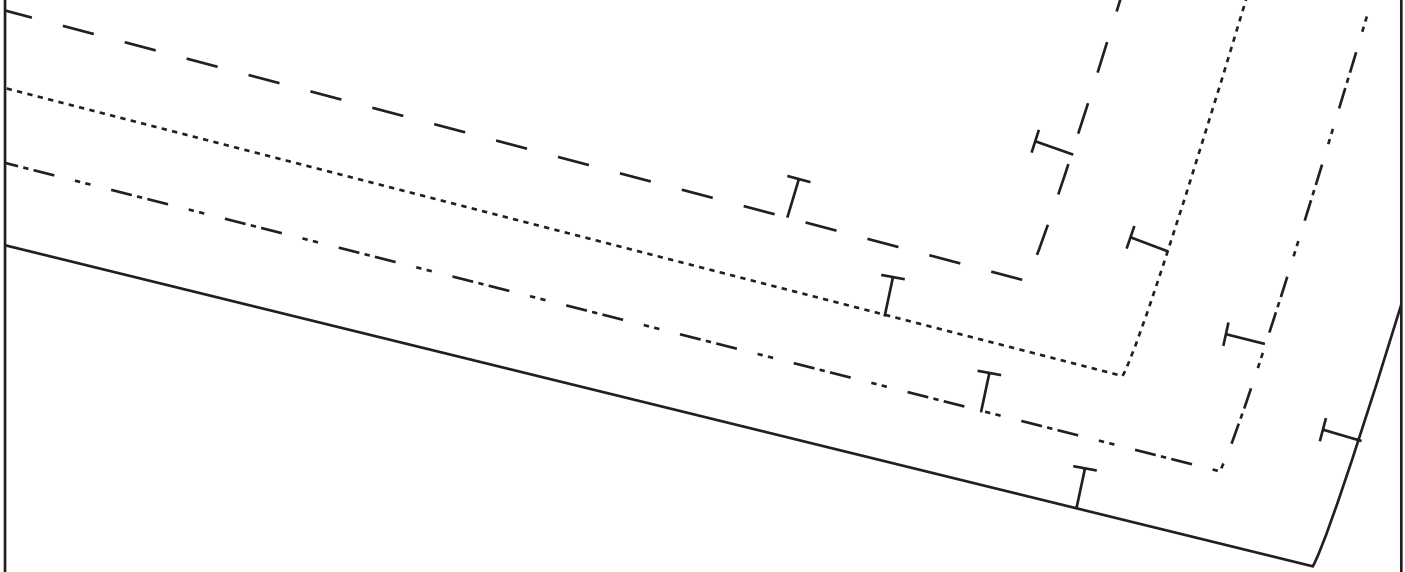




17







20

