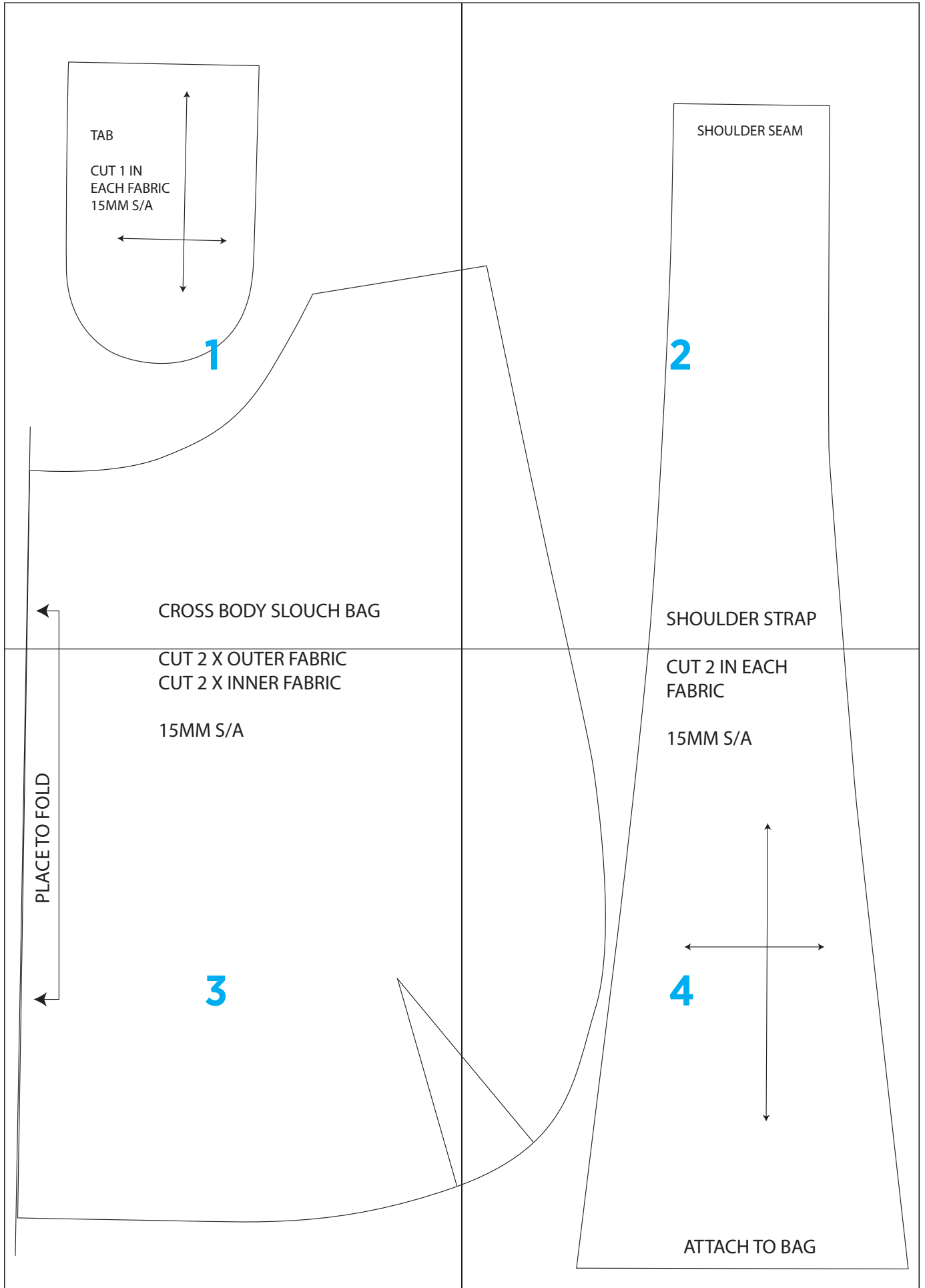
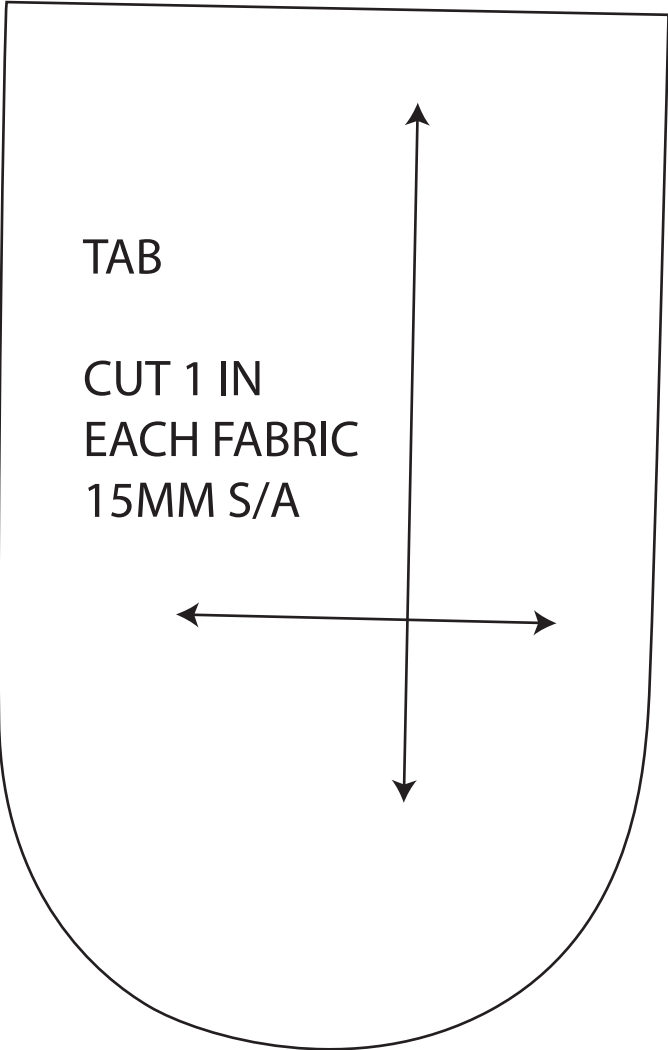


Slouchy Reversible Bag Template



1



CROSS BODY SLOUCH BAG

2

SHOULDER SEAM

SHOULDER STRAP

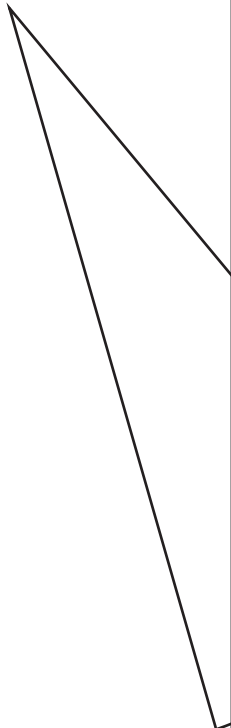
3

PLACE TO FOLD



CUT 2 X OUTER FABRIC
CUT 2 X INNER FABRIC

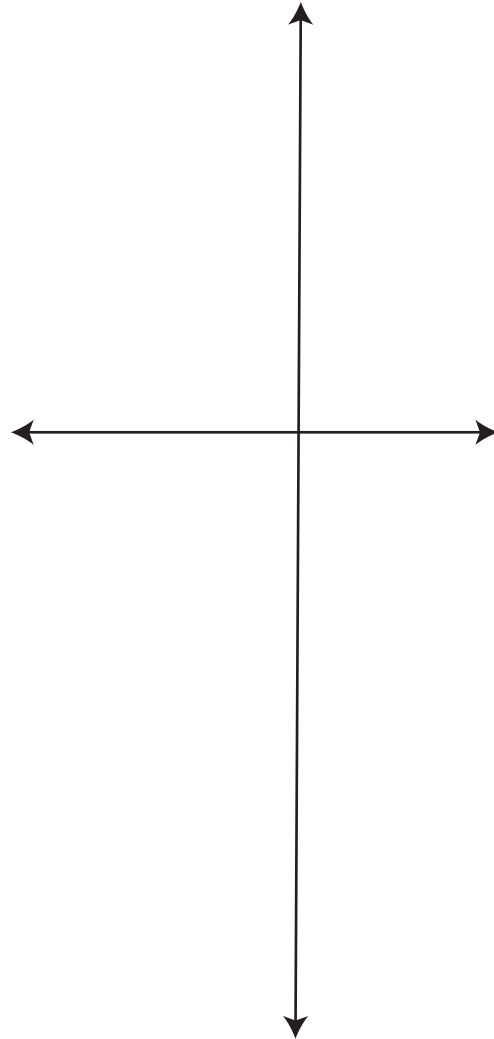
15MM S/A



4

CUT 2 IN EACH
FABRIC

15MM S/A



ATTACH TO BAG